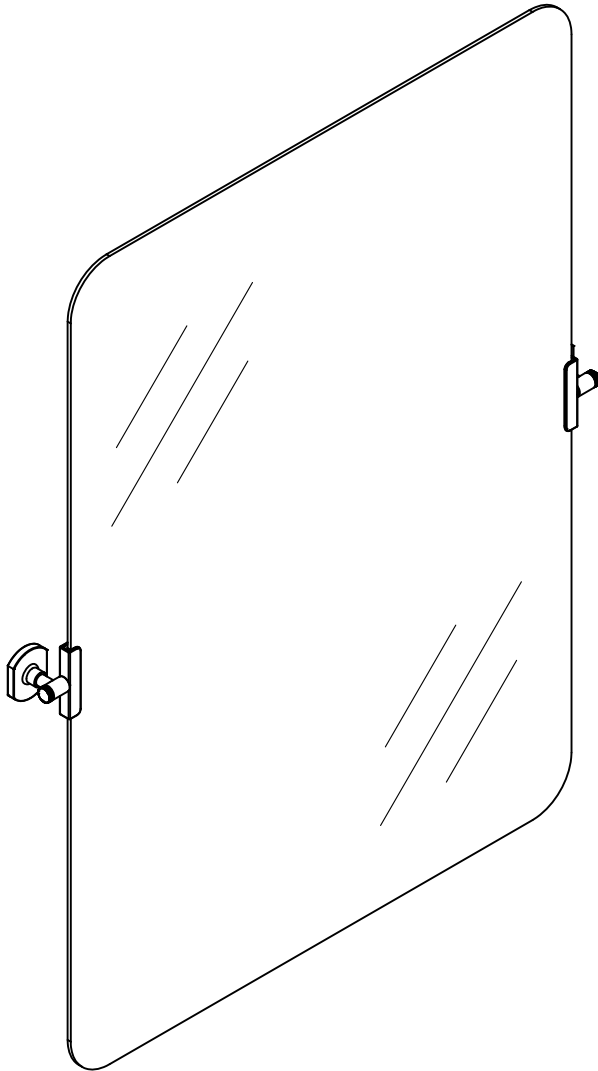
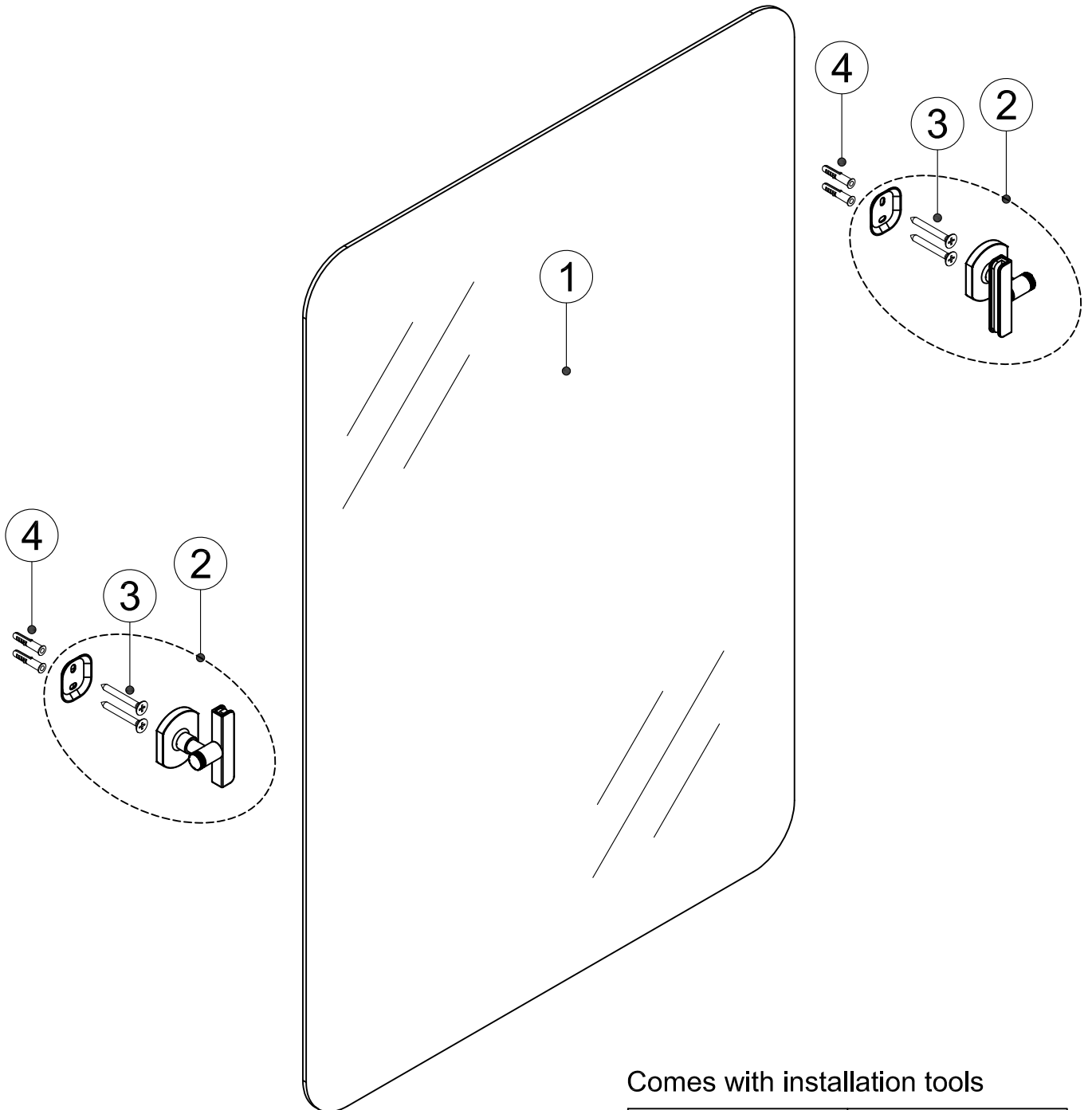

Installation Manual

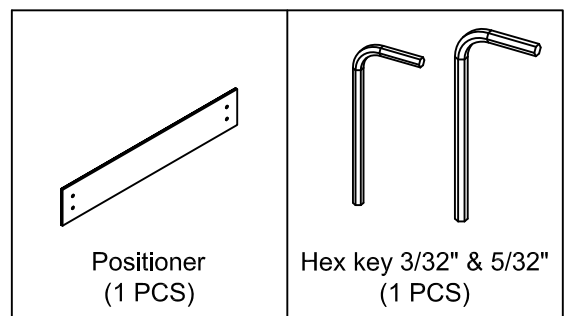
HERMITAGE BATH



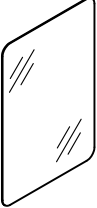
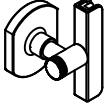
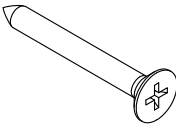
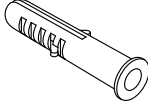
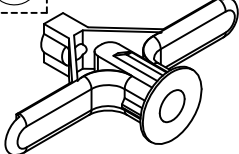
Detailed Diagram of Tilted Mirror Components



Comes with installation tools

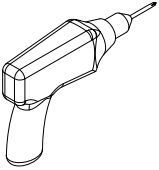
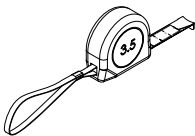
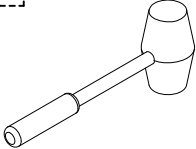

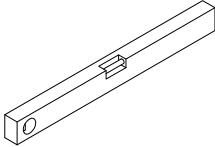
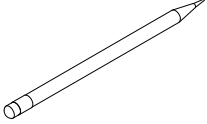
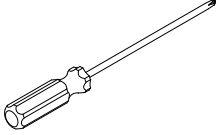



PARTS LIST

				
MIRROR(1 PCS)	ROTATING SHAFT(2 PCS)	1 3/16" SCREW(4 PCS)	WALL PLUG(4 PCS)	AIRCRAFT-SHAPED WALL PLUG(4 PCS)

WARNING: Safety glasses should always be worn when working with drill.

Required Tools:

			 5/16" & 3/8"	
DRILL	MEASURE TAPE	RUBBER MALLET	DRILL BITS	LEVEL
				
PENCIL	SCREW DRIVERS	SAFETY GLASSES		

Before You Start

Thank you for choosing our mirror. We strive to provide you with the highest quality product and user experience.

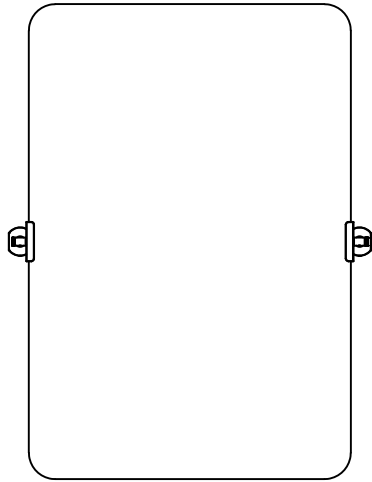
Please read this manual carefully, as it contains important product information and step-by-step instructions for installation. Failure to follow the instructions may affect the warranty of the product.

1. Prior to installation, please inspect the boxes for any damages caused during shipping. If there are any missing or defective parts, please contact customer service via email within 7 business days of the delivery date. Please note that we will not replace any damaged products or missing parts free of charge if reported after 7 business days from the delivery date. Feel free to contact us if you have any questions regarding your PO number.

2. Please make sure to consult your local building codes for any questions on installation standards. Building and plumbing codes may vary by location.

**Choose the Mirror direction - vertical or horizontal.
Follow the appropriate diagram below .**

Vertical Assembly



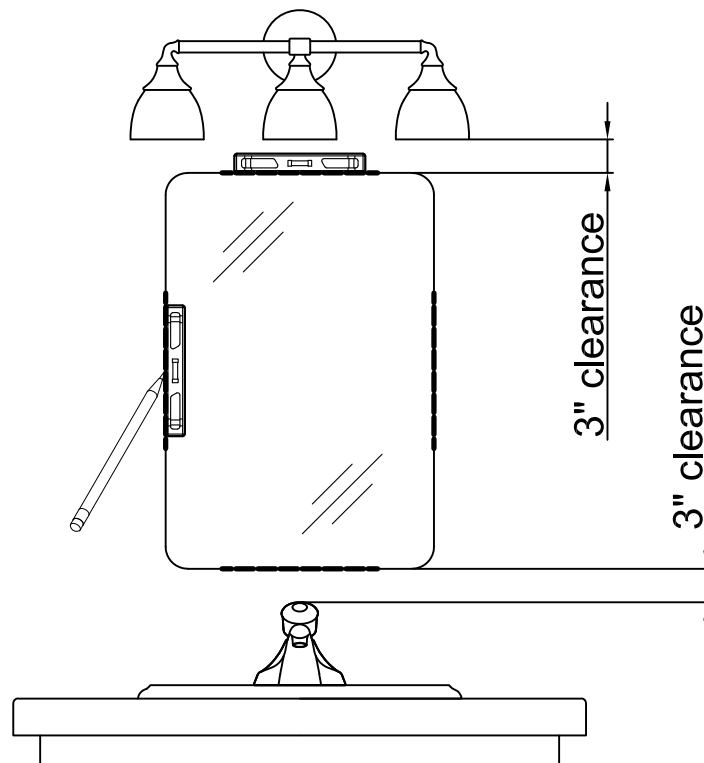
Horizontal Assembly



STEP 1

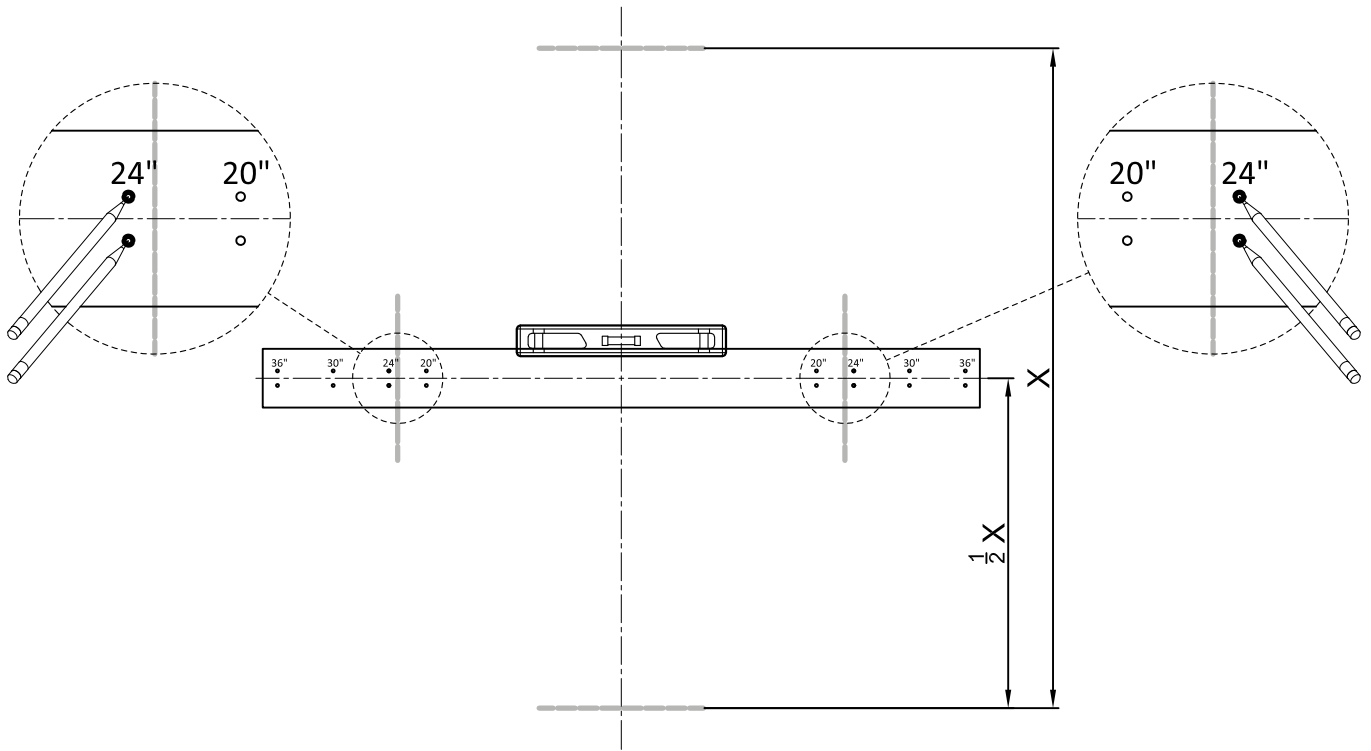
Select the desired position for the mirror. Level it and mark the location.

IMPORTANT: Ensure there is at least 3" of clearance above any obstructions.



STEP 2

Place the positioning cardboard in the designated position, find the corresponding hole on the positioning cardboard according to the product width, mark the hole and ensure the mark is level.



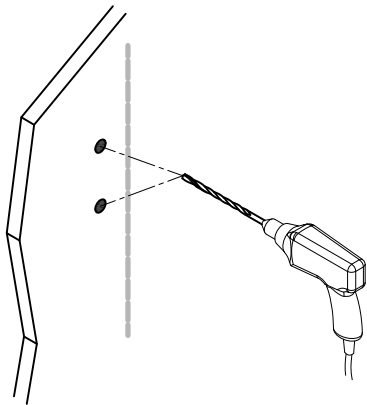
STEP 3

3.1 Drill holes about 1 1/2" deep at each of the marked locations.

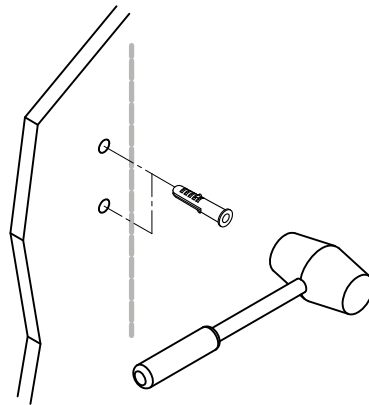
3.2 Insert wall plugs.

For walls thicker than 3/8" to 1/2", drill a 5/16" hole and insert the WALL PLUG (4).

For walls thinner than 3/8" to 1/2", drill a 3/8" hole and insert the AIRCRAFT-SHAPED WALL PLUG (5).



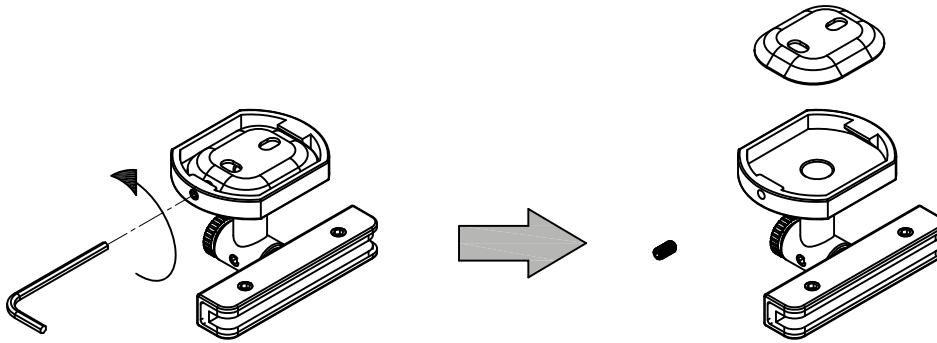
STEP 3.1



STEP 3.2

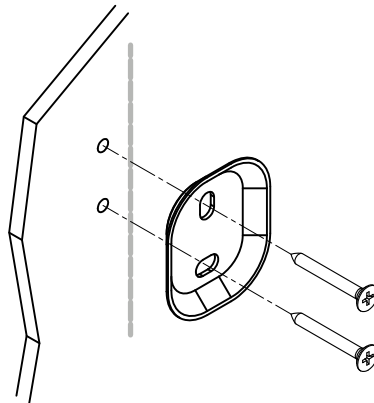
STEP 4

Use a hex wrench to remove the **retaining clip** on the **rotating shaft**.



STEP 5

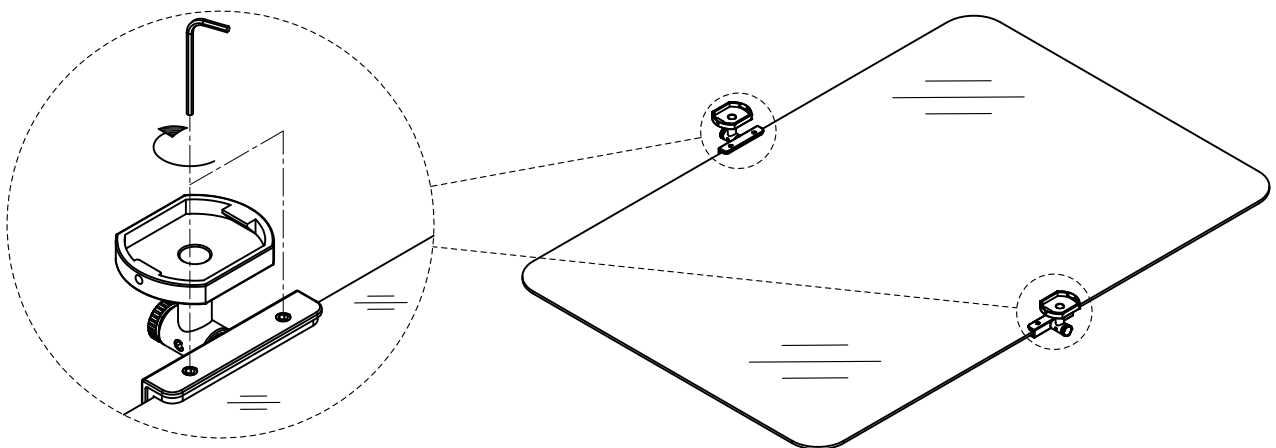
Retaining clip plate on the wall.



STEP 6

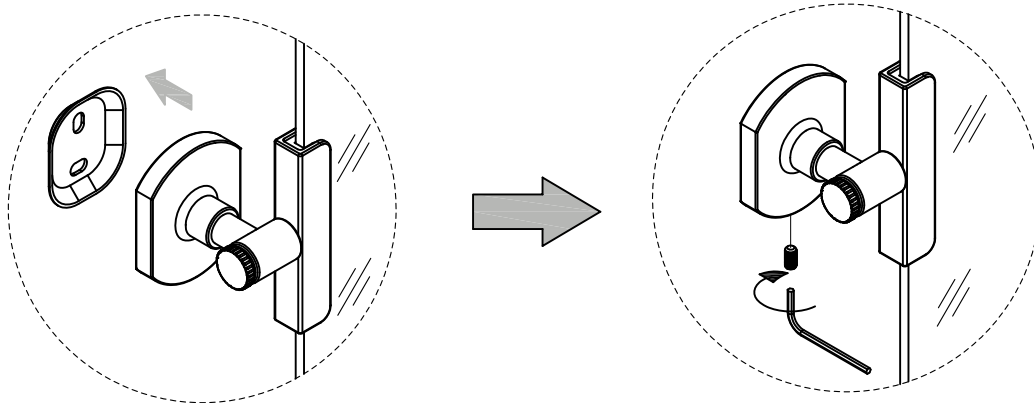
Install the **rotating shaft**. Position the **rotating shaft** at the center of the mirror's side and secure it.

IMPORTANT: The rotating shaft is divided into left and right. When installing on the wall, ensure the tension adjustment screw on the rotating shaft faces the ground.



STEP 7

Install the **tilted mirror**. Align the **rotating shaft** with the **retaining clip** and tighten the **retaining clip**.



STEP 8

The tightness of the mirror's movement can be adjusted by turning the screw on the **rotating shaft**.

