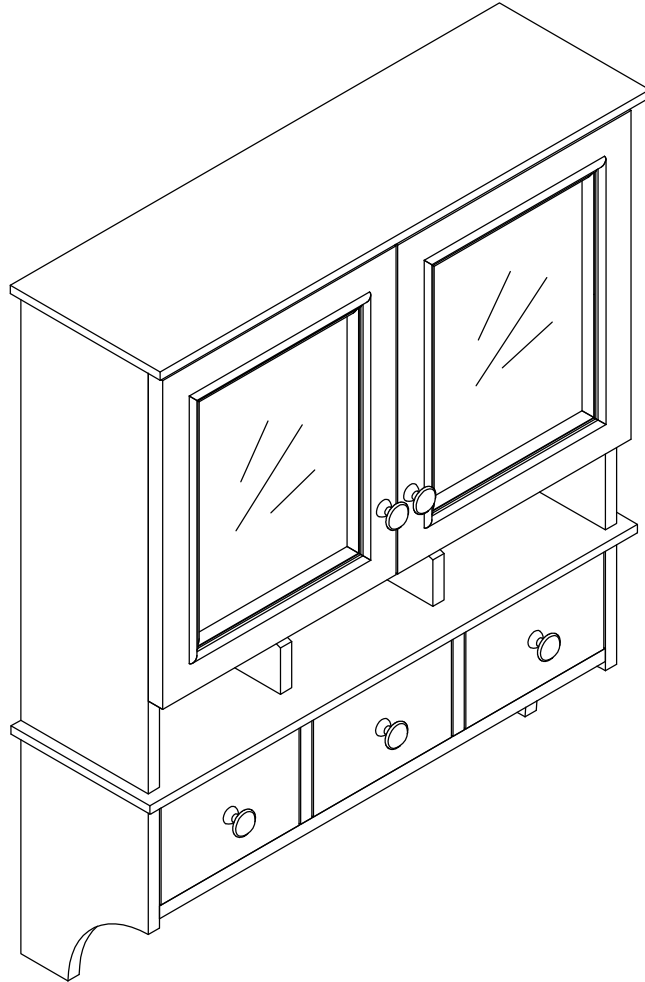


ASSEMBLY INSTRUCTIONS

24 INCH MIRROR CABINET

HERMITAGE BATH

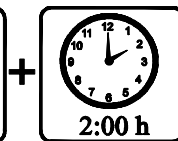
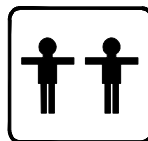
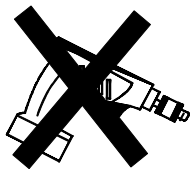


Thank you for purchasing this quality product. Be sure to check all packing material carefully for small parts which may have come loose inside the carton during shipment. Separate, identify and count all parts and hardware.

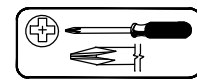
Compare with the parts list to be sure all parts are present.

"DO NOT TIGHTEN SCREWS UNTIL COMPLETELY ASSEMBLED"

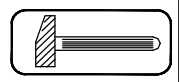
*** Use of power tool to assemble this product will invalidate any claim and damage this product making unsafe !!!**
*** Please assemble on a clean soft surface to avoid damage.**



Tools Required



(Not included)



(Not included)

IMPORTANT:

PLEASE READ INSTRUCTION BEFORE STARTING THE ASSEMBLY

Before Installation

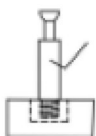
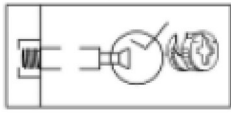
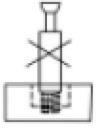

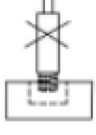
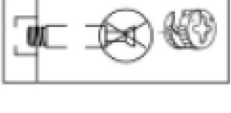
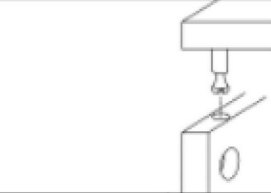
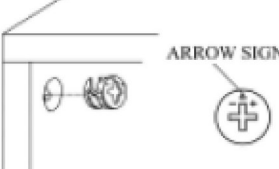
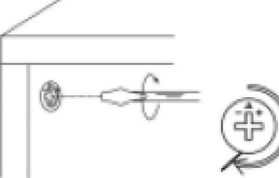
Important - Please read these instructions fully before starting assembly

Thank you for purchasing this quality product. Be sure to check all packing materials carefully for small parts, which may have come loose inside the carton during shipment. Identify and count all items according to the PARTS LIST and/or HARDWARE LIST shown below. Check you have all the components and tools listed on the following pages.

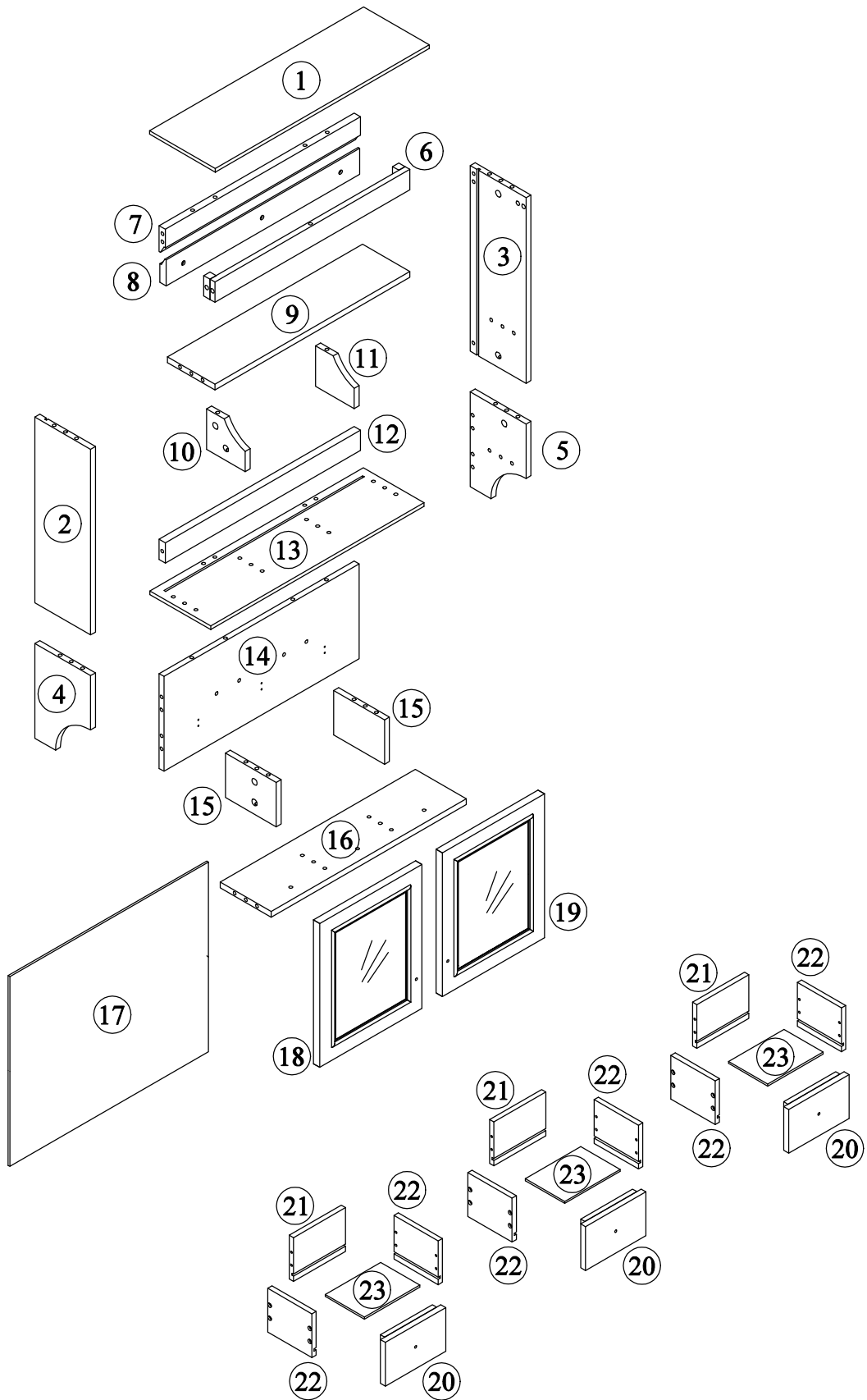
- . We recommend that you assemble this product with the assistance of another person; this will make the assembly easier, and will help eliminate damage to the product or injury to persons during assembly.
- . Please do not over tighten screws or bolts until the assembly is completed.
- . Keep children and animal away from the work area, small parts could choke if swallowed.
- . Please put all parts on a non-abrasive floor before assembly, and follow the assembly steps to assemble your newly purchased product correctly and efficiently.

If you find that you have any trouble with assembly or missing or damaged parts please contact the seller.

Cam Lock Assembly Instructions

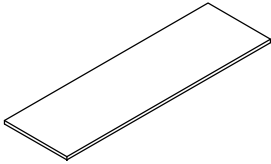
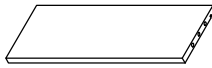

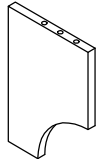
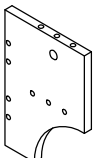
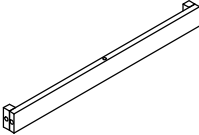
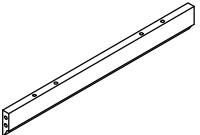
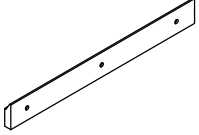
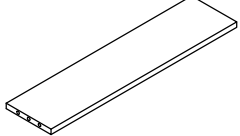
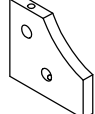
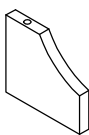
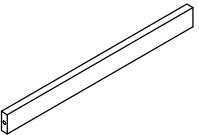
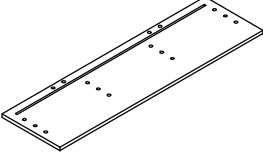
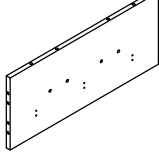
		Diagram A Insert Cam Bolt into hole as shown in diagram A.
		Diagram B Make sure not to insert the Cam Bolt: Too deep as shown in figure B as this will cause the Cam Lock to be misaligned and unable to interlock properly.
		Diagram C Also avoid inserting the Cam Bolt too close to the surface of the hole as shown in figure C, as this will cause the Cam Lock to be too loose, and not interlock properly.
		Connect the panels together.
		ARROW SIGN Insert the Cam Lock so the side opening fits over the head of the Cam Bolt.
		To tighten the Cam Lock, turn it clockwise on half a turn with a flat screwdriver. <i>*Do not use an automatic screwdriver as it may bend or break if too much power is imposed.</i>

Detail View - CABINET

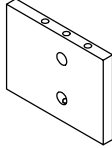
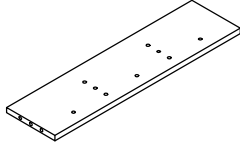
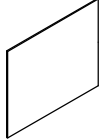
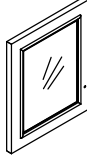
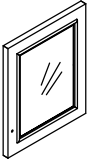
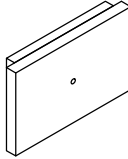
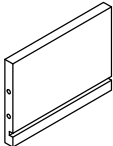
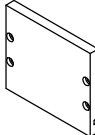
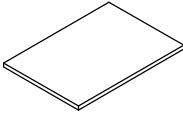


Identifying the Hardware-Identify the hardware using the illustrations below.

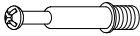



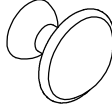
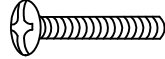




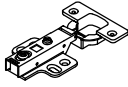
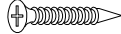

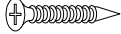


Part List - N710P405416

<p>1</p>  <p>Top Panel - 1pc</p>	<p>2</p>  <p>Side Panel Up (L) - 1pc</p>
<p>3</p>  <p>Side Panel Up (R) - 1pc</p>	<p>4</p>  <p>Side Panel Down (L) - 1pc</p>
<p>5</p>  <p>Side Panel Down (R) - 1pc</p>	<p>6</p>  <p>Front Bar Top - 1pc</p>
<p>7</p>  <p>Rear Top Bar - 1pc</p>	<p>8</p>  <p>Connect Bar - 1pc</p>
<p>9</p>  <p>Mid Panel (A) - 1pc</p>	<p>10</p>  <p>Mid Panel(L) - 1pc</p>
<p>11</p>  <p>Mid Panel(R) - 1pc</p>	<p>12</p>  <p>Rear Bar Mid - 1pc</p>
<p>13</p>  <p>Mid Panel (B) - 1pc</p>	<p>14</p>  <p>Rear Panel Bottom - 1pc</p>

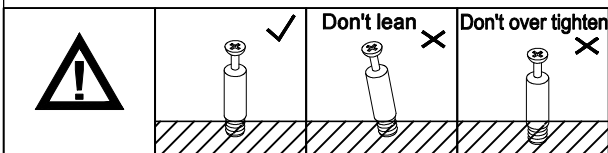
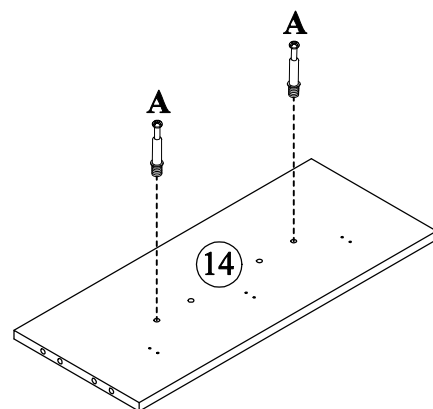
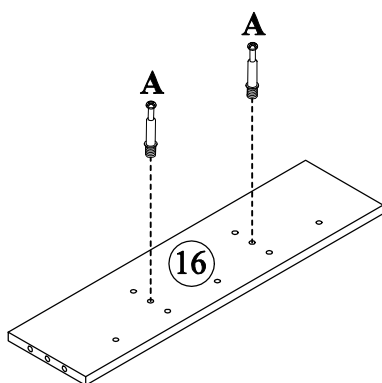
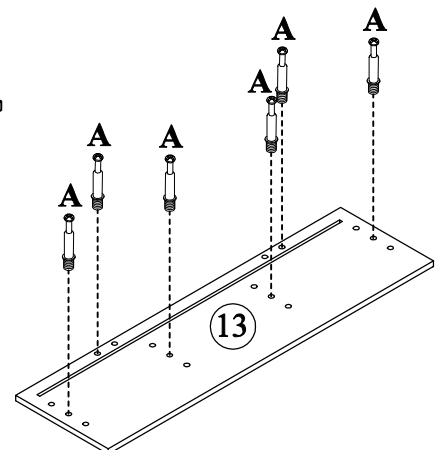
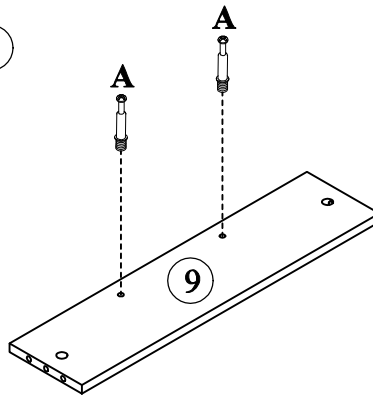
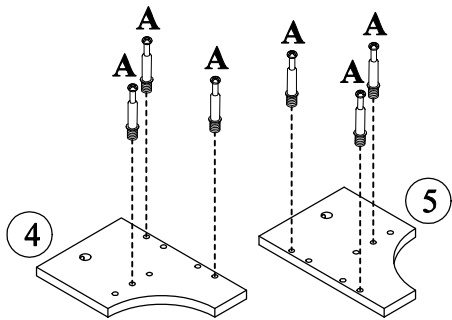
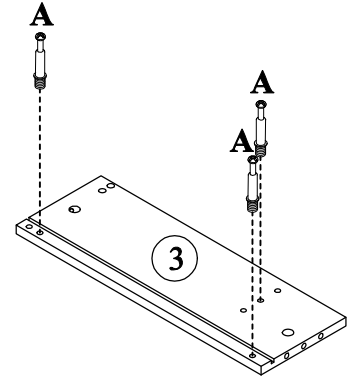
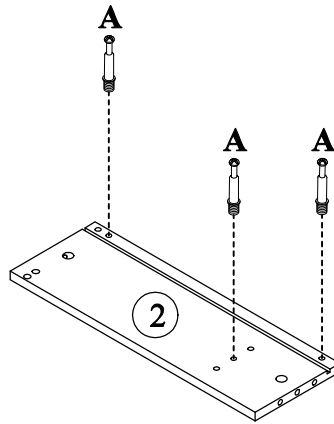
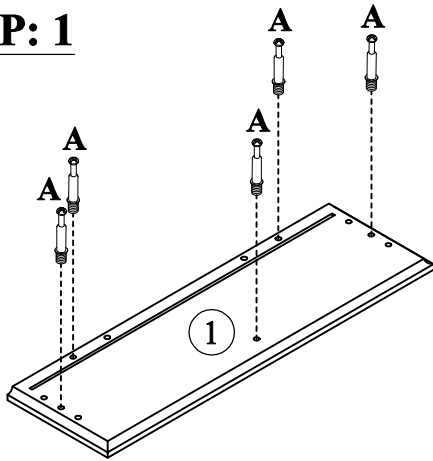
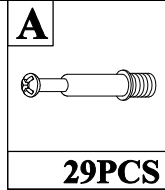
Part List - N710P405416

<p>15</p>  <p>Mid Panel(C) - 2pcs</p>	<p>16</p>  <p>Bottom Panel - 1pc</p>
<p>17</p>  <p>Back Panel - 1pc</p>	<p>18</p>  <p>Door Cabinet Left - 1pc</p>
<p>19</p>  <p>Door Cabinet Right - 1pc</p>	<p>20</p>  <p>Drawer Face - 3pcs</p>
<p>21</p>  <p>Drawer Panel Rear - 3pcs</p>	<p>22</p>  <p>Drawer Panel Side - 6pcs</p>
<p>23</p>  <p>Bottom Drawer Panel - 3pcs</p>	

Hardware List - N710P405416

<p>A</p>  <p>Ø6x35mm</p>	<p>B</p>  <p>Ø14.5x12mm</p>	<p>C</p>  <p>Ø10xØ5x60mm</p>
<p>Three in one bolts (35pcs)</p>	<p>Three in one lock (35pcs)</p>	<p>Flat head screw (3pcs)</p>
<p>D</p>  <p>Ø12x55mm</p>	<p>E</p> 	<p>F</p>  <p>Ø5/32"x20mm</p>
<p>Plastic stopper (3pcs)</p>	<p>Handle (5pcs)</p>	<p>Handle screw (2pcs)</p>
<p>G</p>  <p>Ø5/32"x25mm</p>	<p>H</p>  <p>Ø13x1/4"x28mm</p>	<p>I</p>  <p>Ø1/4"x16x1mm</p>
<p>Handle screw (3pcs)</p>	<p>Hex-Head bolts (5pcs)</p>	<p>Washer (5pcs)</p>
<p>J</p>  <p>4mm</p>	<p>K</p> 	<p>L</p>  <p>Ø7xØ3.5x15mm</p>
<p>Allen key (1pc)</p>	<p>Damping hinge (4pcs)</p>	<p>Flat head screw (24pcs)</p>
<p>M</p> 	<p>N</p>  <p>Ø6xØ3x12mm</p>	<p>O</p>  <p>Ø8x30mm</p>
<p>Towel hook (3pcs)</p>	<p>Flat head screw (6pcs)</p>	<p>Wood dowel (48pcs)</p>
<p>P</p>  <p>Ø8xØ4x25mm</p> <p>Round head screw (24pcs)</p>		

STEP: 1

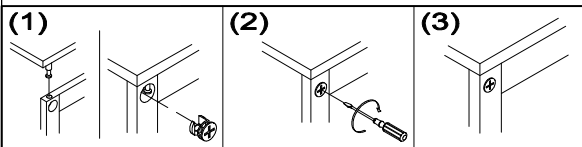
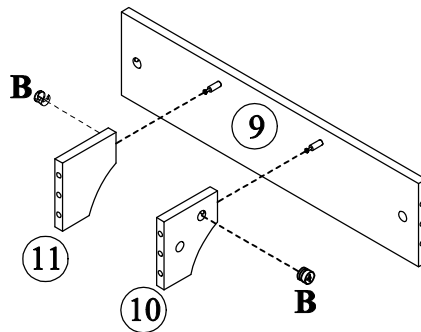


STEP: 2

B

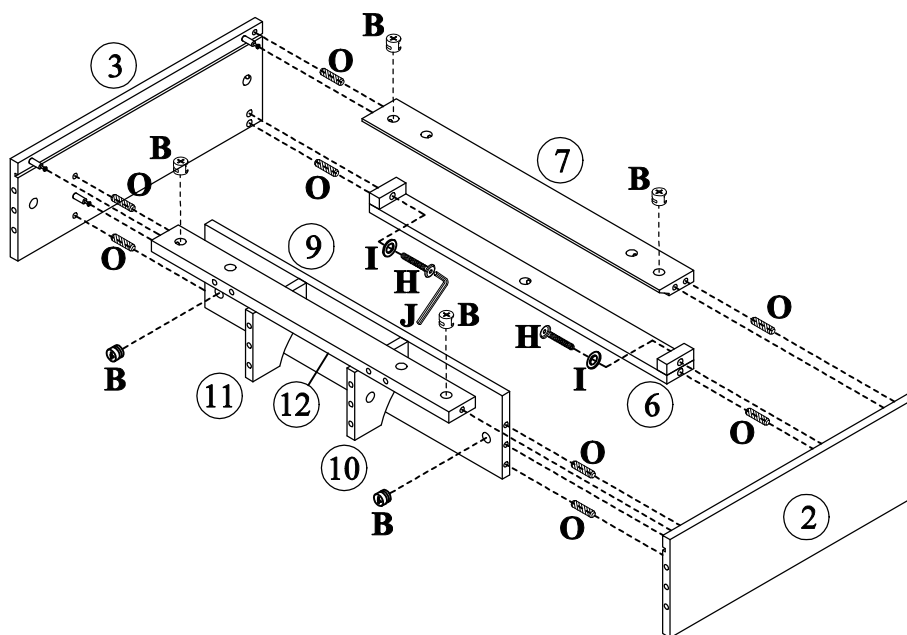


2PCS





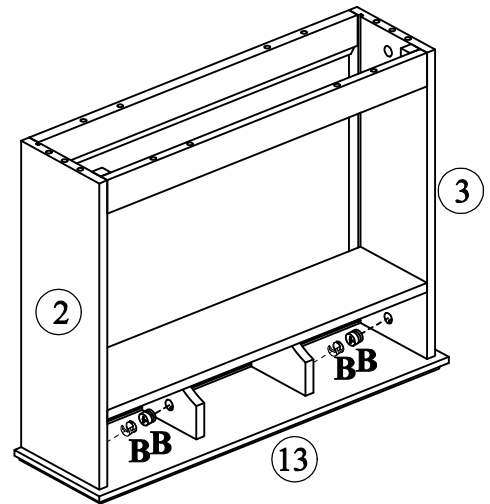
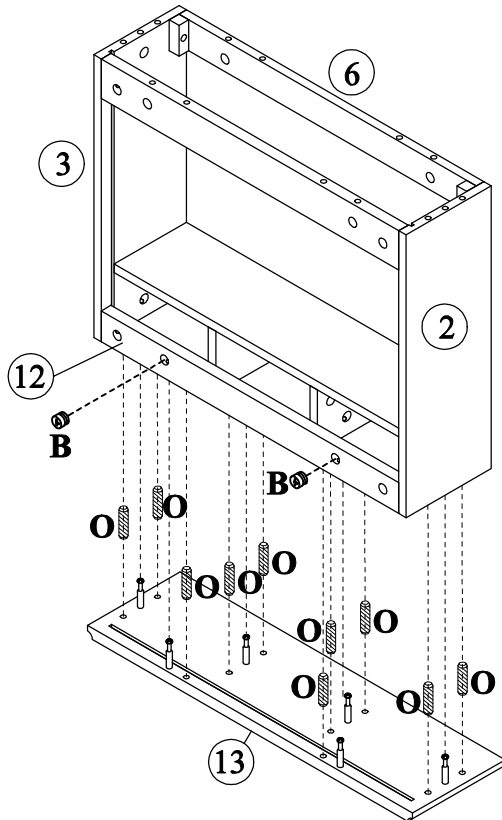
STEP: 3

B	H	I	O
6PCS	2PCS	2PCS	8PCS
			J
			1PC

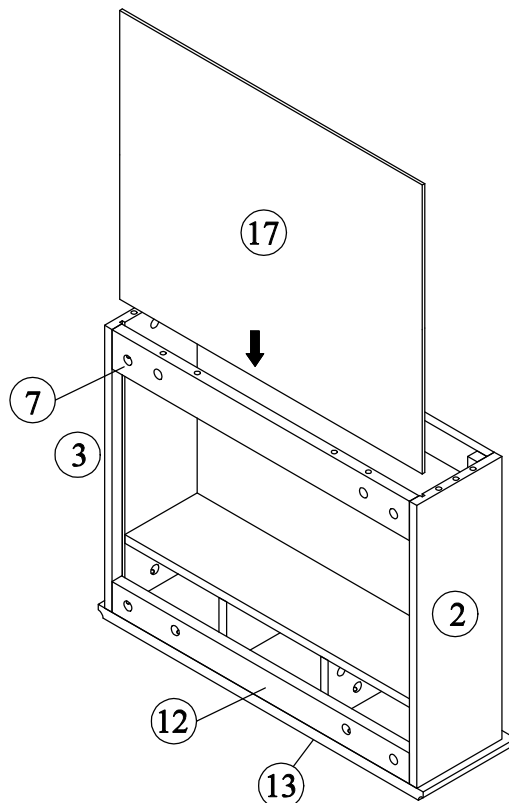


STEP: 4


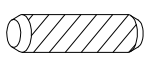
B		O	
6PCS		10PCS	

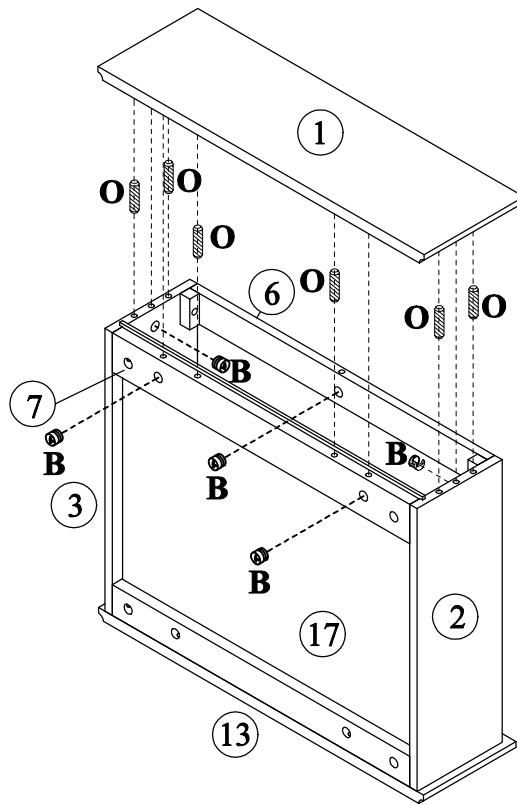


STEP: 5


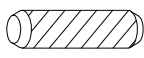


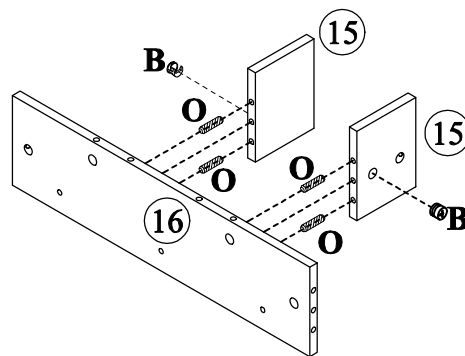
STEP: 6

B		O	
5PCS		6PCS	


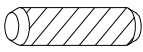


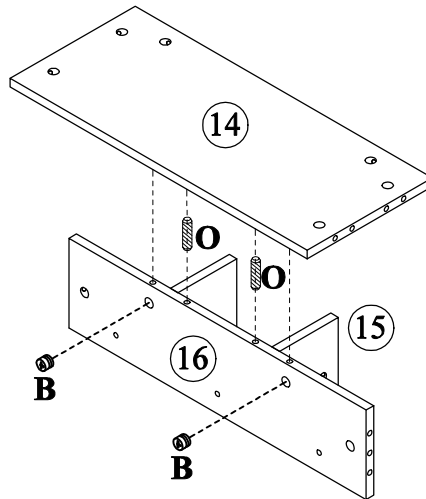
STEP: 7

B		O	
2PCS		4PCS	





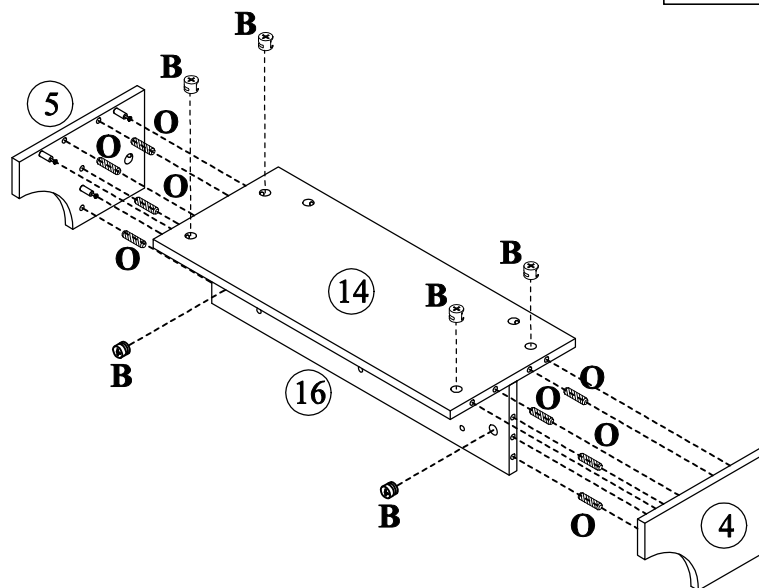
STEP: 8

B		O	
2PCS		2PCS	

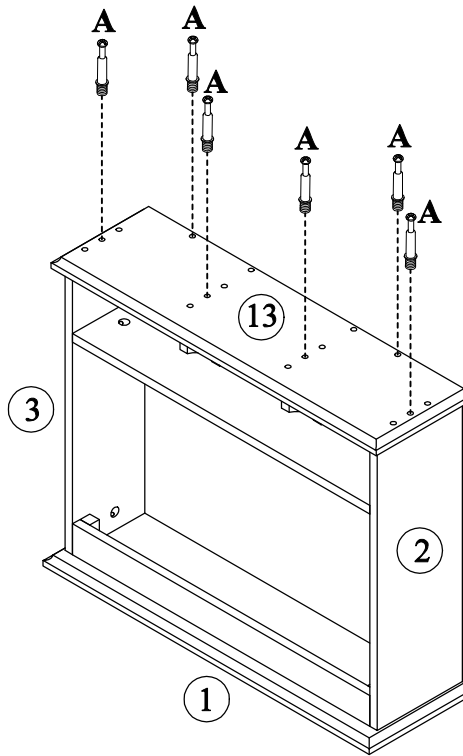



STEP: 9

B		O	
6PCS		8PCS	

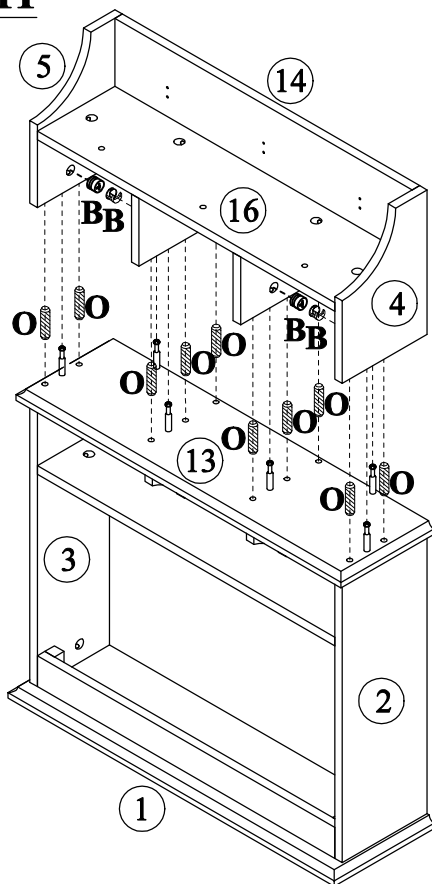



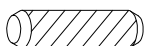
STEP: 10

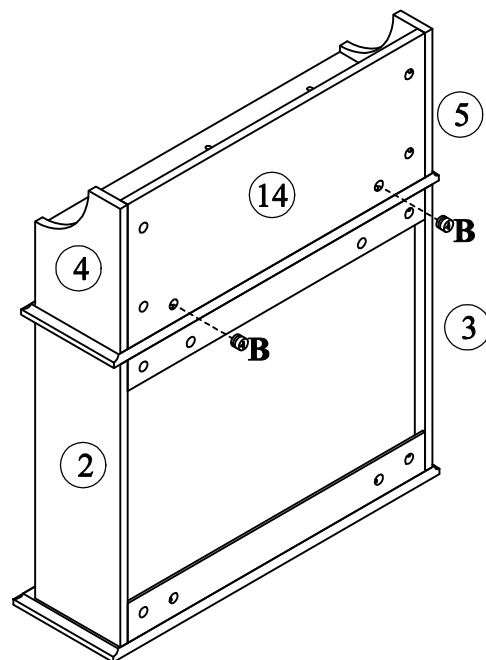


A	
6PCS	

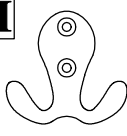
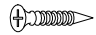
STEP: 11

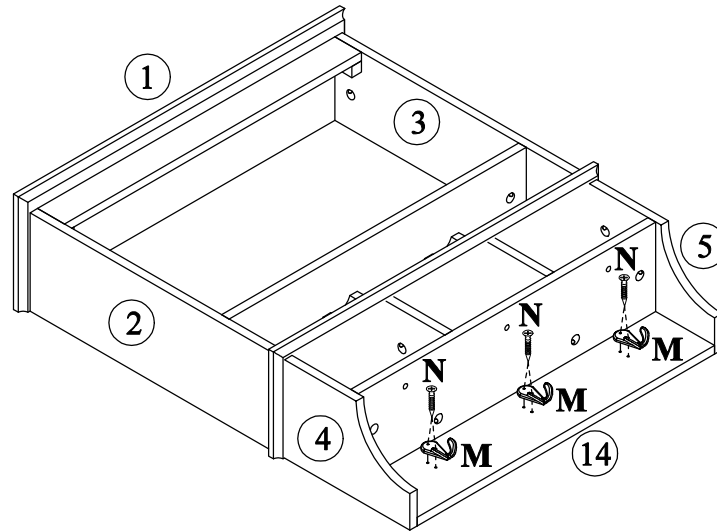


B		O	
6PCS		10PCS	

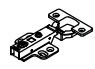
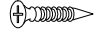


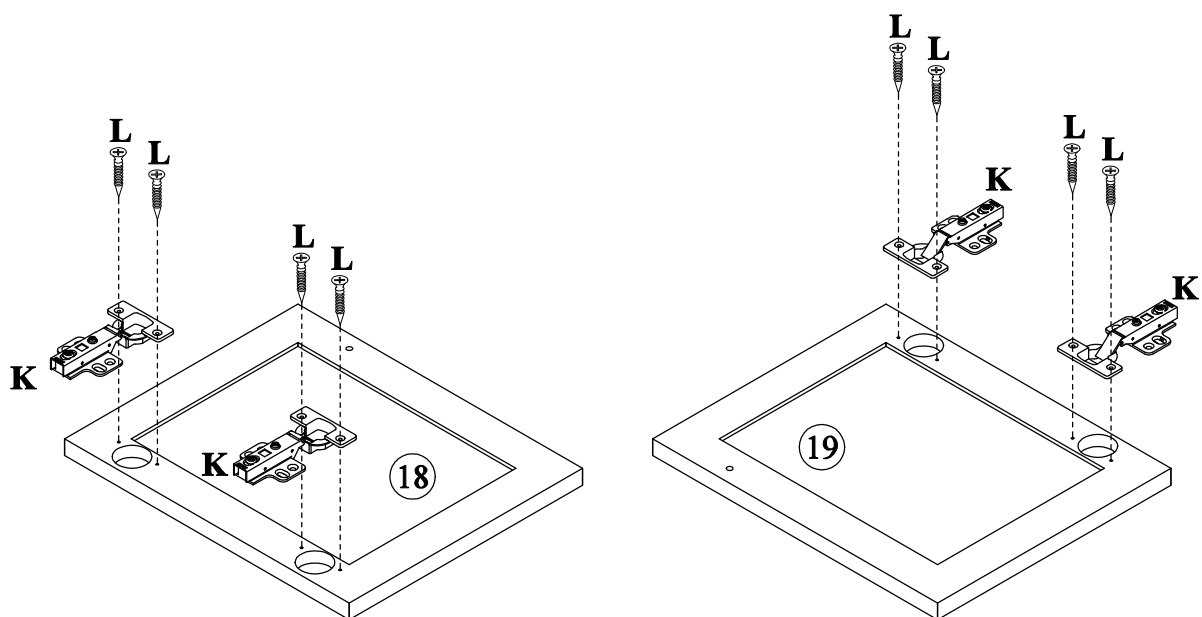
STEP: 12

M		N	
3PCS		6PCS	


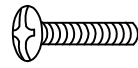
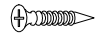


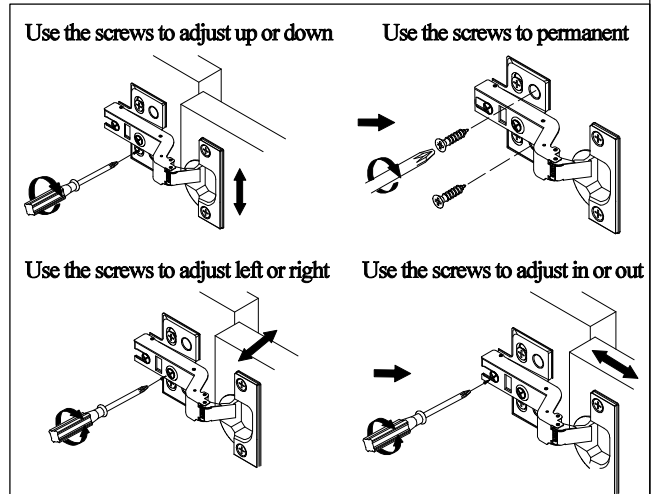
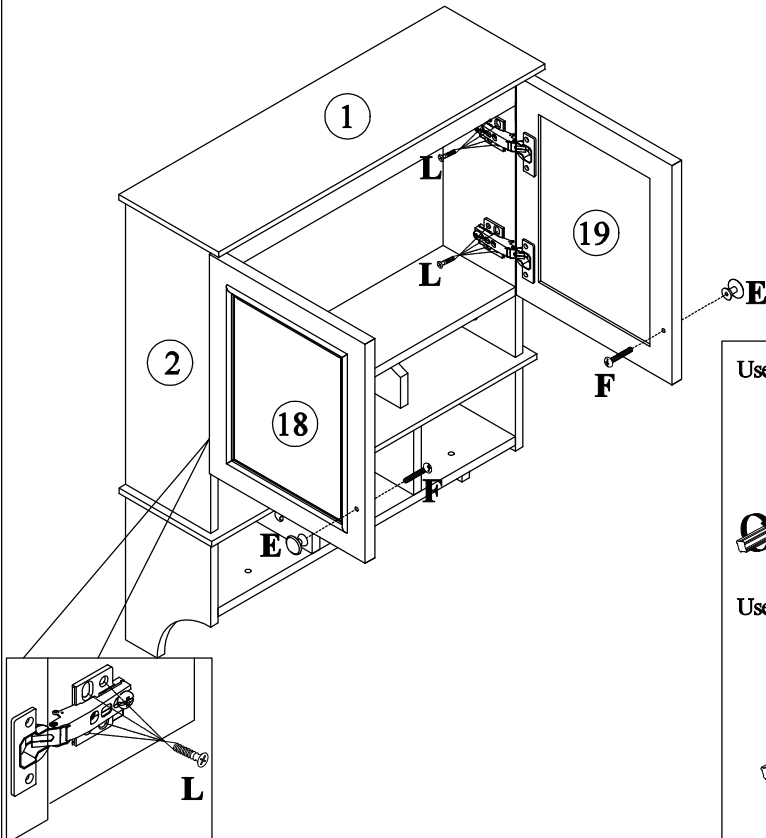
STEP: 13

K		L	
4PCS		8PCS	


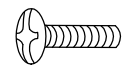



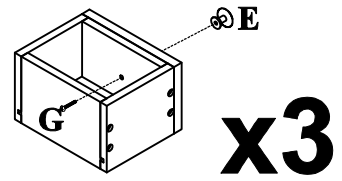
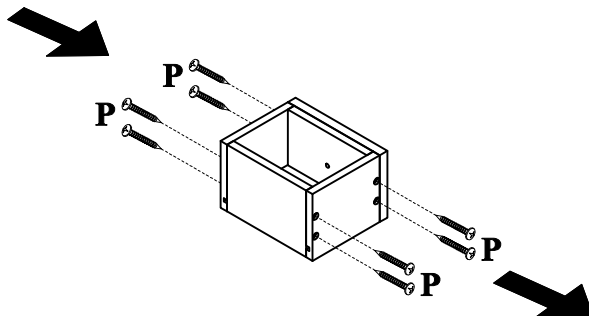
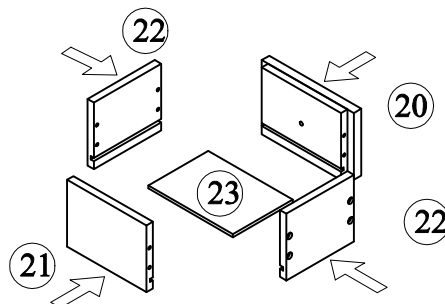
STEP: 14

E	F	L
		
2PCS	2PCS	16PCS






STEP: 15

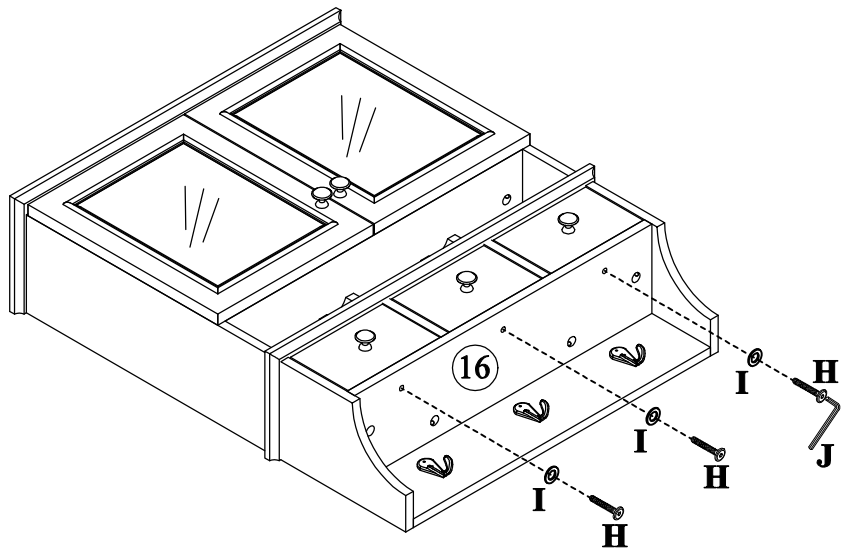
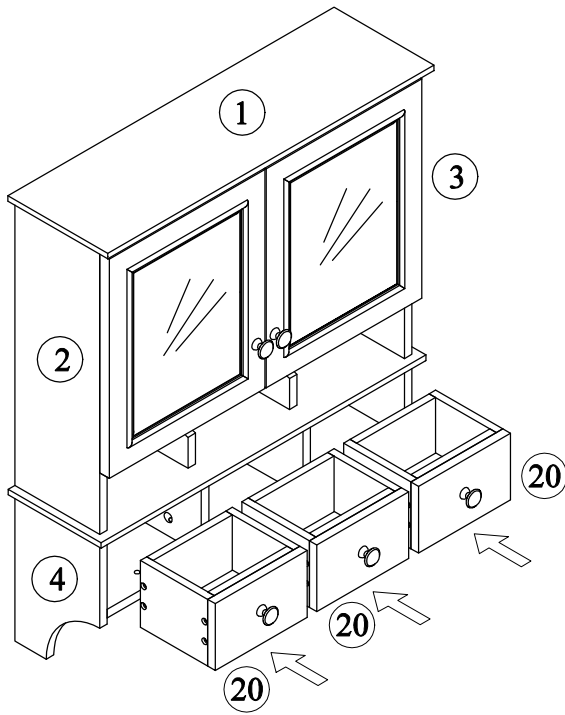
E	G	P
		
3PCS	3PCS	24PCS



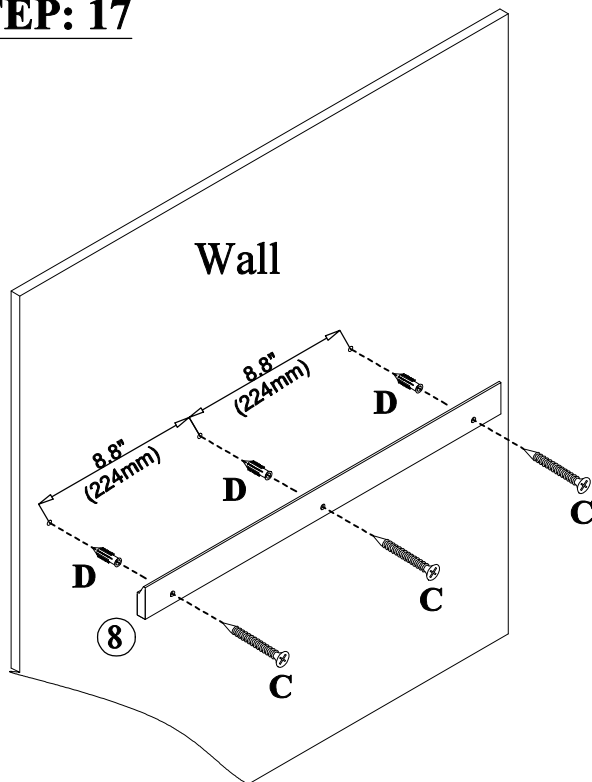
x3



STEP: 16

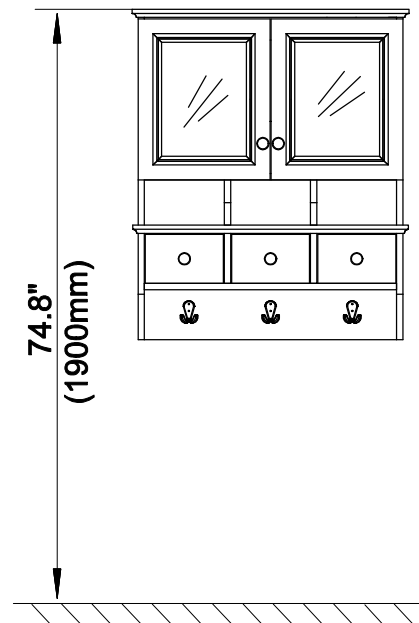
H 	I 	J 
3PCS	3PCS	1PC



STEP: 17



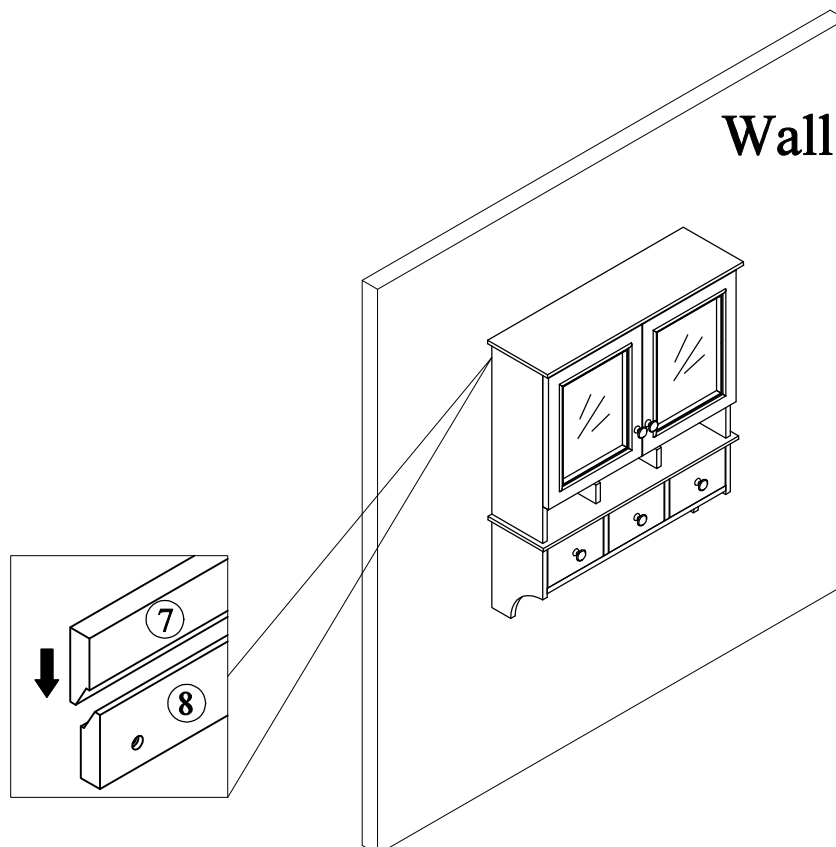
C	D
	
3PCS	3PCS



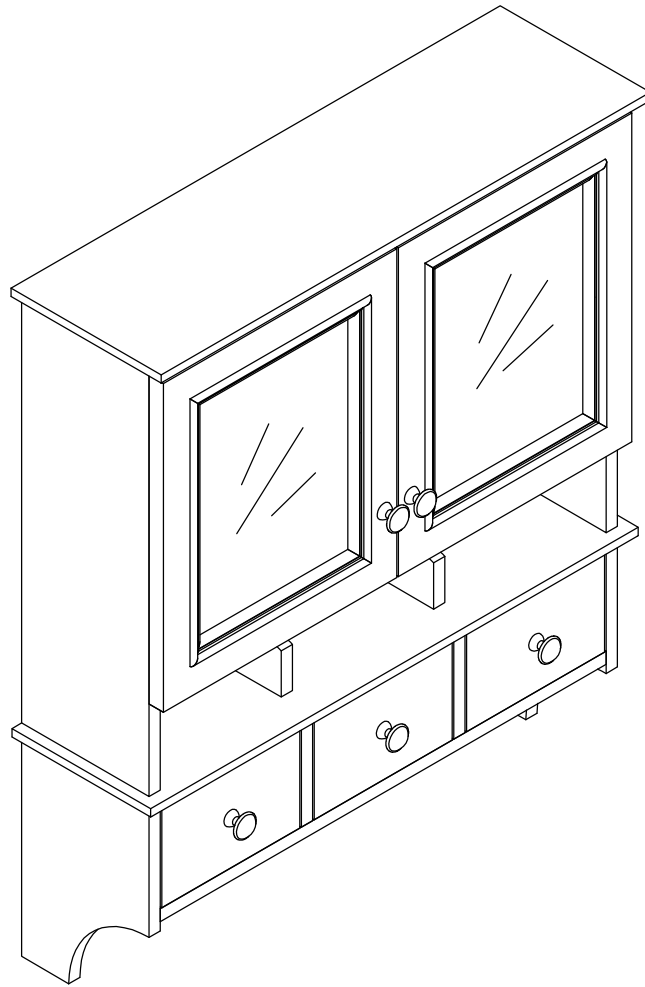
Draw the spacing between the walls and the No.8, punch holes in the wall, and fix the No.8 to the wall with screws.

Note: Appropriate distance from the top of cabinet to the ground is 74.8".

STEP: 18



STEP: 19

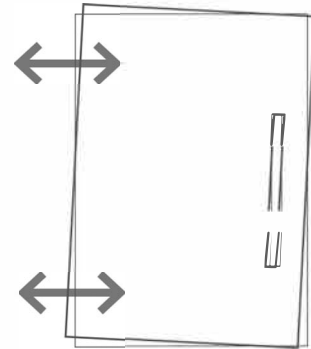


HINGE ADJUSTMENTS



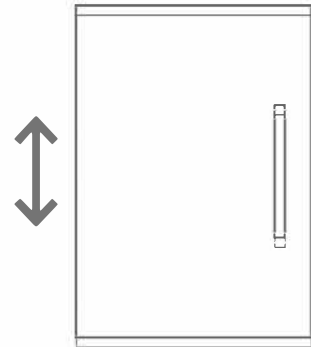
1 Sideways / Tilt adjustment

Turn the screw
clockwise to move the door further away from the side of the cabinet
anticlockwise to move the door closer to the side of the cabinet



2 4 Height adjustment

While supporting the weight of the door, turn the screws
clockwise to move the door up
anticlockwise to move the door down



3 Forward and back adjustment

If the gap between the back of the door and the cabinet is too small, and the door may not close fully. Turn the screw
clockwise to decrease the gap between the door and the cabinet
anticlockwise to increase the gap between the door and the cabinet

