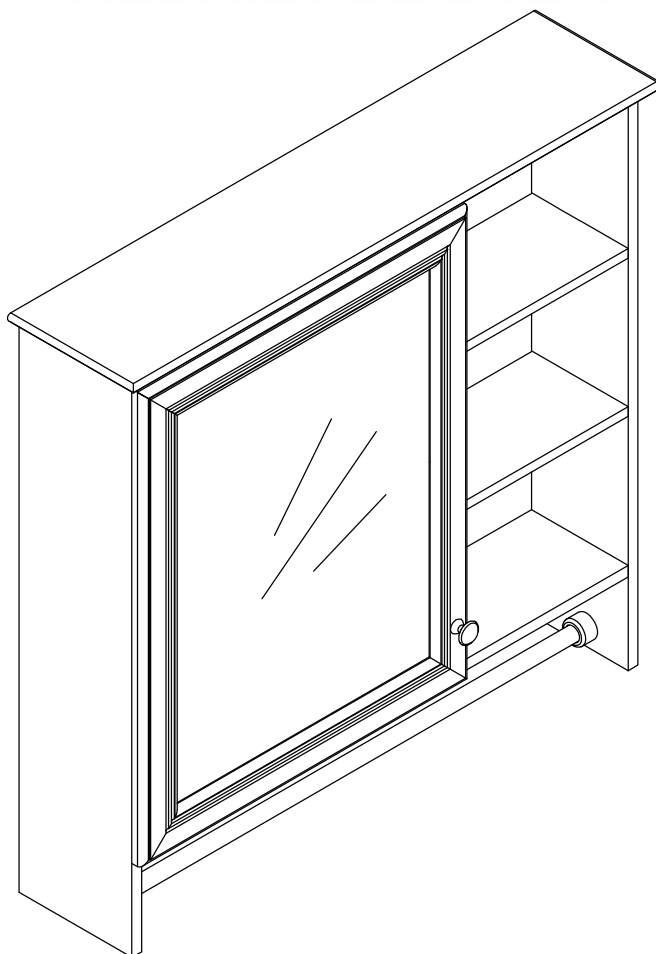


ASSEMBLY INSTRUCTIONS

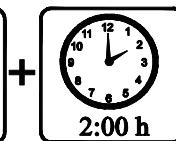
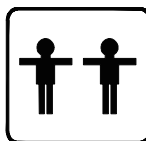
30 INCH CABINET

HERMITAGE BATH

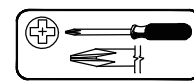


Thank you for purchasing this quality product. Be sure to check all packing material carefully for small parts which may have come loose inside the carton during shipment. Separate, identify and count all parts and hardware. Compare with the parts list to be sure all parts are present. "DO NOT TIGHTEN SCREWS UNTIL COMPLETELY ASSEMBLED"

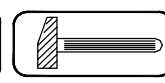
*** Use of power tool to assemble this product will invalidate any claim and damage this product making unsafe !!!**
*** Please assemble on a clean soft surface to avoid damage.**



Tools Required



(Not included)



(Not included)

IMPORTANT:

PLEASE READ INSTRUCTION BEFORE STARTING THE ASSEMBLY

Before Installation

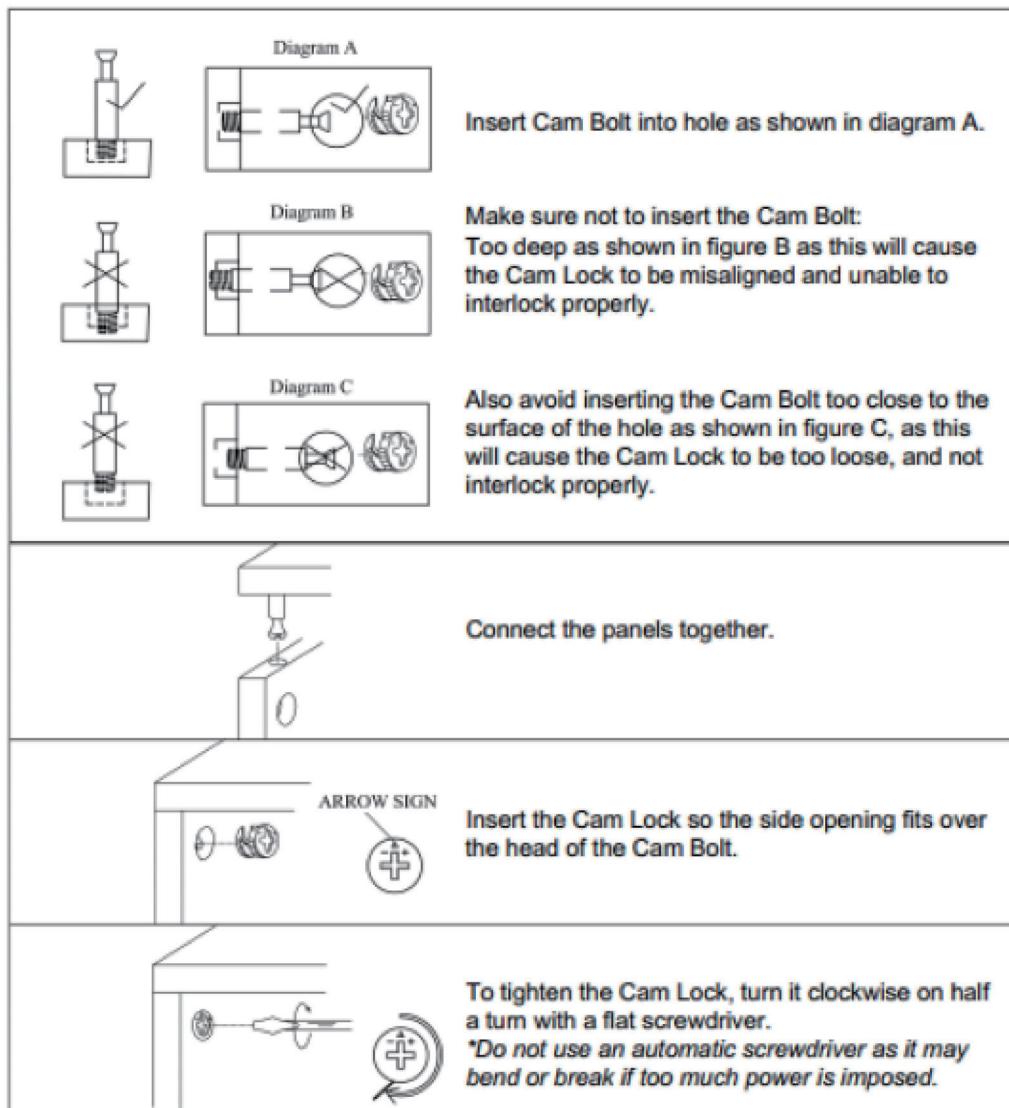
Important - Please read these instructions fully before starting assembly

Thank you for purchasing this quality product. Be sure to check all packing materials carefully for small parts, which may have come loose inside the carton during shipment. Identify and count all items according to the PARTS LIST and/or HARDWARE LIST shown below. Check you have all the components and tools listed on the following pages.

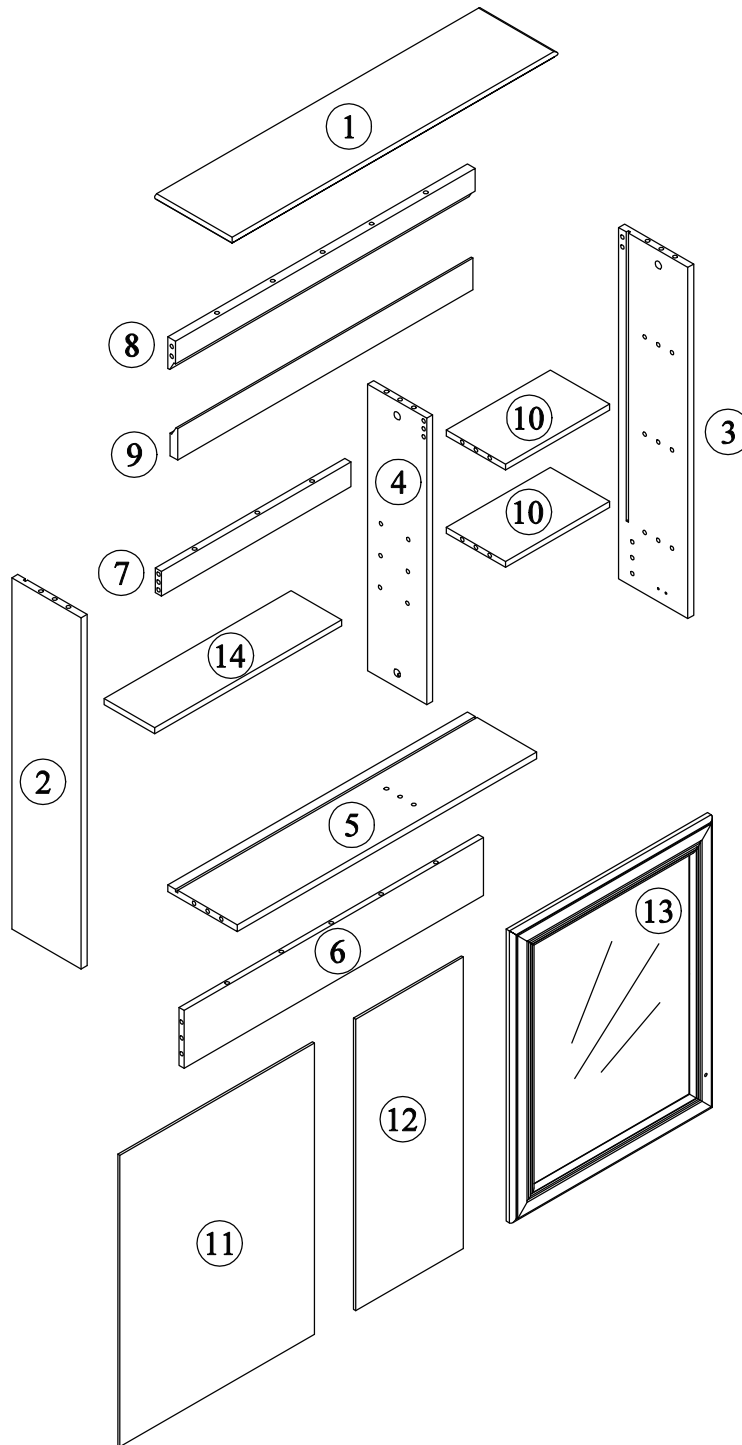
- . We recommend that you assemble this product with the assistance of another person; this will make the assembly easier, and will help eliminate damage to the product or injury to persons during assembly.
- . Please do not over tighten screws or bolts until the assembly is completed.
- . Keep children and animal away from the work area, small parts could choke if swallowed.
- . Please put all parts on a non-abrasive floor before assembly, and follow the assembly steps to assemble your newly purchased product correctly and efficiently.

If you find that you have any trouble with assembly or missing or damaged parts please contact the seller.

Cam Lock Assembly Instructions

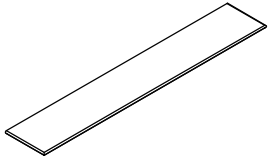
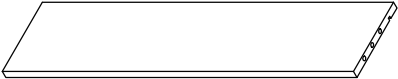
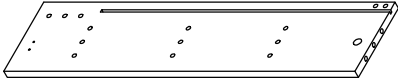
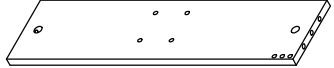
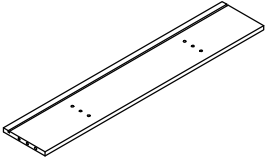
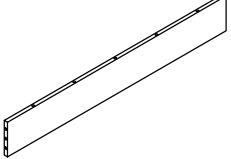
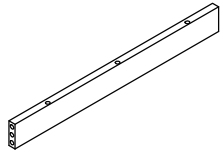
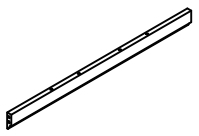
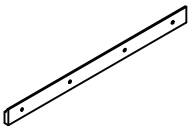
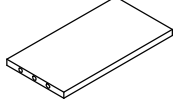
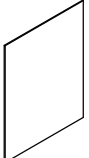

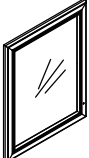



Detail View - CABINET

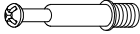




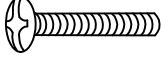
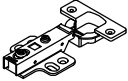
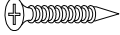
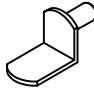


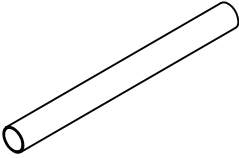
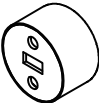
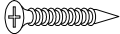



Identifying the Hardware-Identify the hardware using the illustrations below.

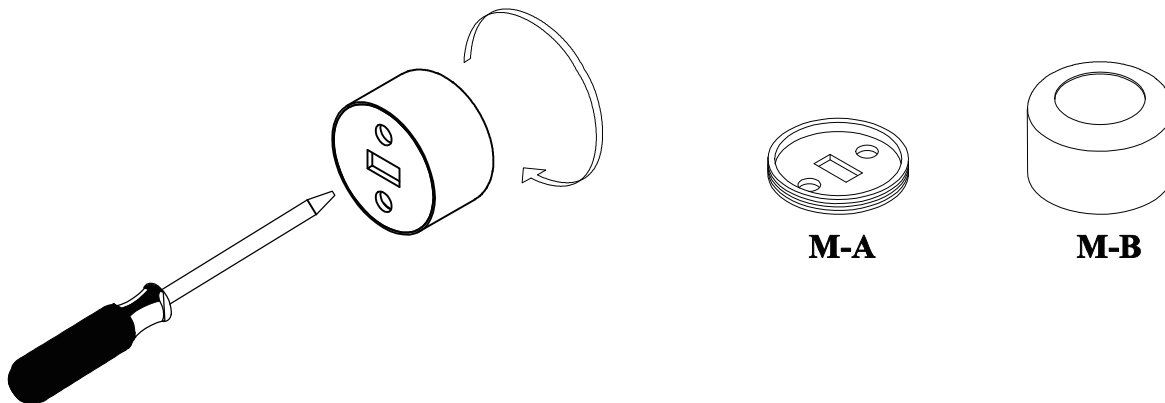
Part List - N710P186086

<p>1</p>  <p>Top Panel - 1pc</p>	<p>2</p>  <p>Side Panel Left - 1pc</p>
<p>3</p>  <p>Side Panel Right - 1pc</p>	<p>4</p>  <p>Mid Panel (R) - 1pc</p>
<p>5</p>  <p>Mid Panel (A) - 1pc</p>	<p>6</p>  <p>Bottom Panel - 1pc</p>
<p>7</p>  <p>Front Top Bar - 1pc</p>	<p>8</p>  <p>Rear Top Bar - 1pc</p>
<p>9</p>  <p>Connect Bar - 1pc</p>	<p>10</p>  <p>Mid Panel (B) - 2pcs</p>
<p>11</p>  <p>Back Panel (A) - 1pc</p>	<p>12</p>  <p>Back Panel (B) - 1pc</p>
<p>13</p>  <p>Door Cabinet - 1pc</p>	<p>14</p>  <p>Adjustable Shelf - 1pc</p>

Hardware List - N710P186086

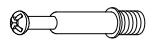
A  ø6x35mm Three in one bolts (23pcs)	B  ø14.5x9mm Three in one lock (23pcs)	C  ø10xø5x50mm Flat head screw (4pcs)
D  ø12x55mm Plastic stopper (4pcs)	E  Handle (1pc)	F  ø5/32"x25mm Handle screw (1pc)
G  Damping hinge (2pcs)	H  ø7xø3.5x15mm Flat head screw (12pcs)	I  Laminate pad(4pcs)
J  ø8x30mm Wood dowel (22pcs)	K  ø7xø3.5x15mm Round head screw(2pcs)	L  Steel Pipe (1pc)
M  Pipe Bracket (2pcs)	N  ø6xø3x12mm Flat head screw (4pcs)	O  ø6x30mm Wood dowel (14pcs)

Expand hardware (M) into two separate parts

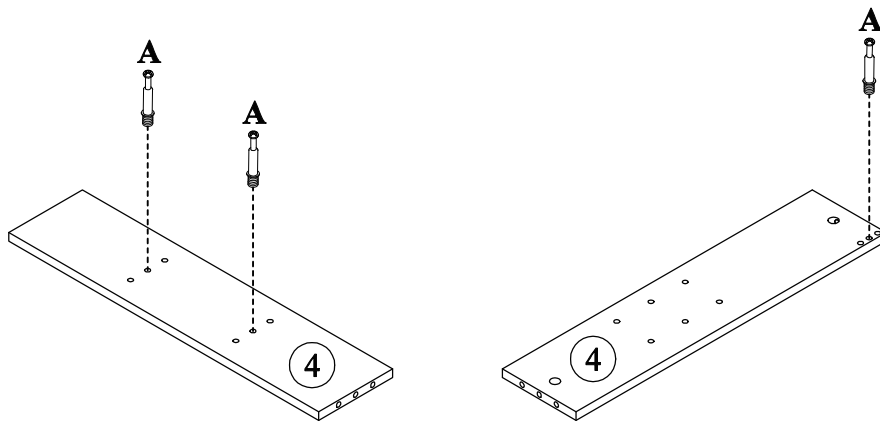
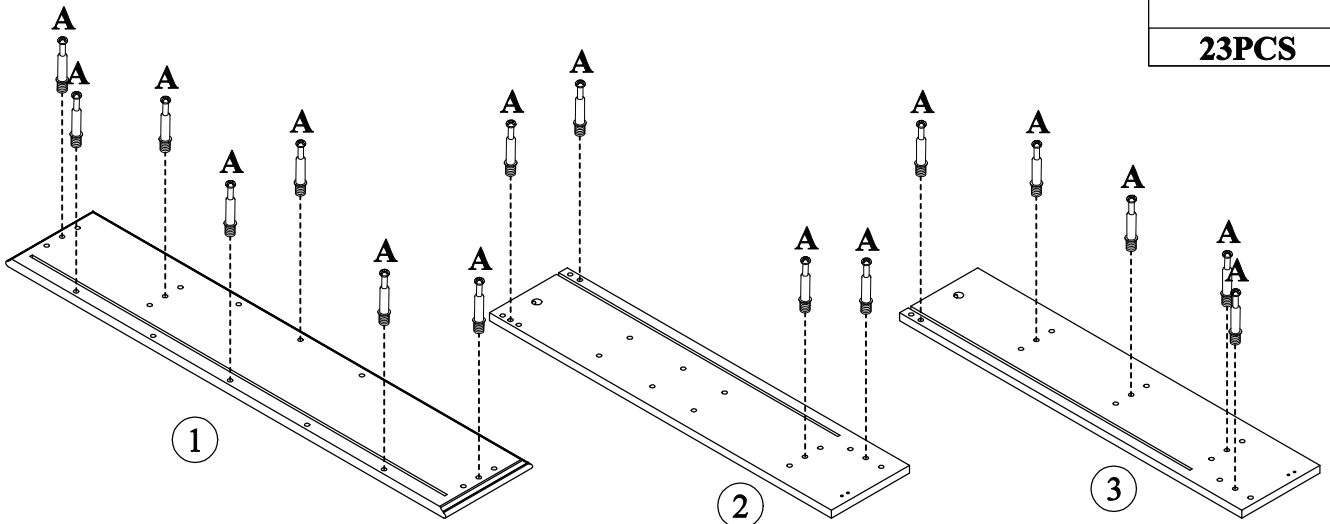


STEP: 1

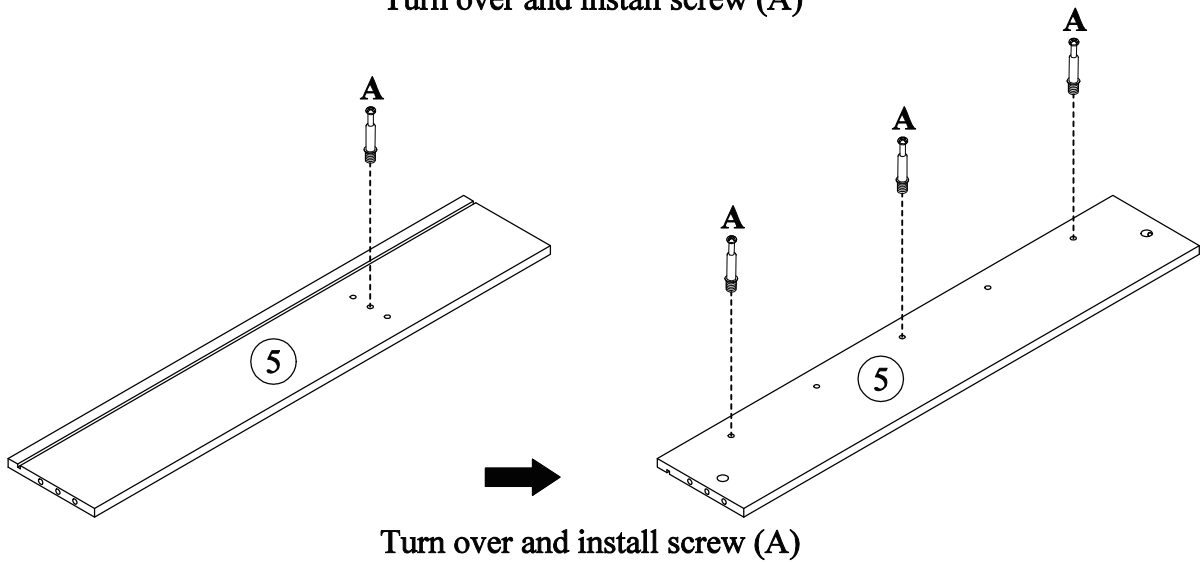
A



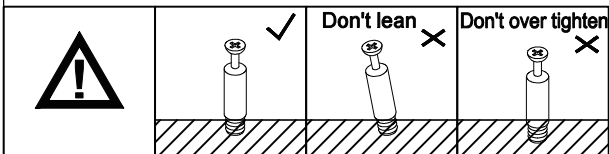
23PCS




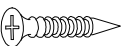
➔
Turn over and install screw (A)

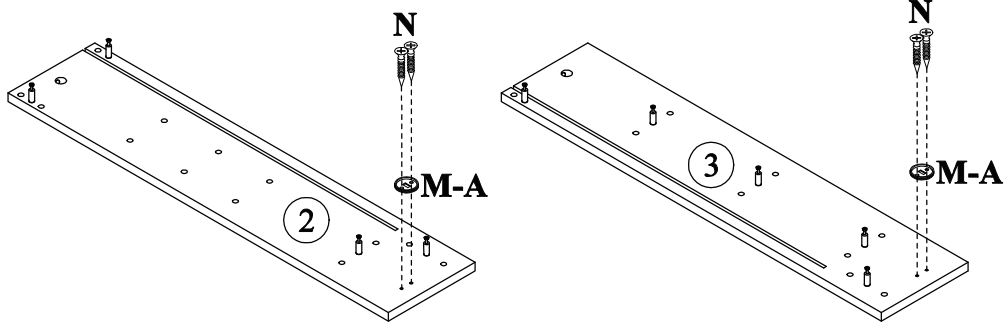


➔
Turn over and install screw (A)


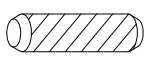


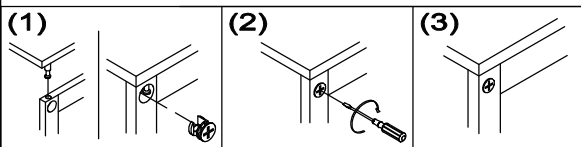
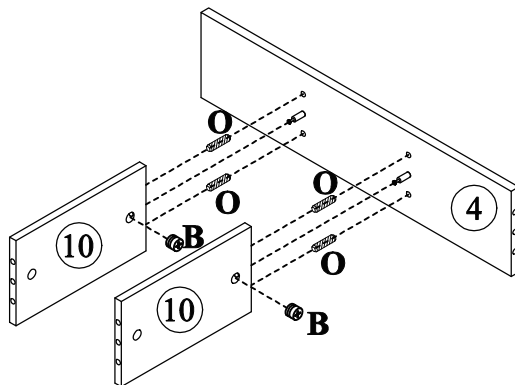
STEP: 2

M	 A	N	
	2PCS		4PCS


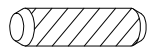


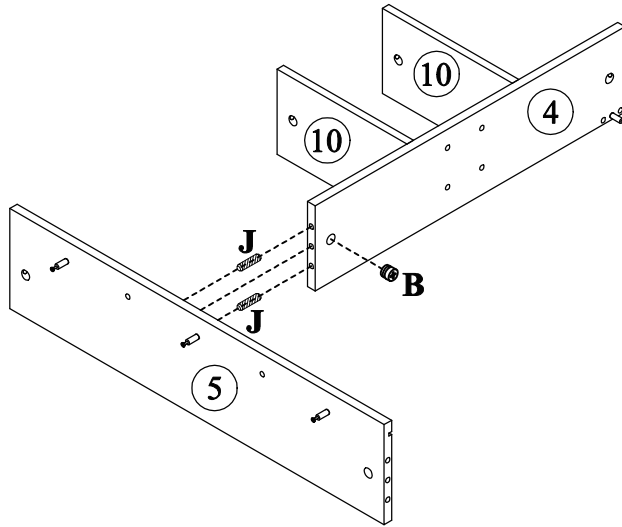
STEP: 3

B		O	
	2PCS		4PCS


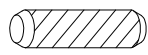


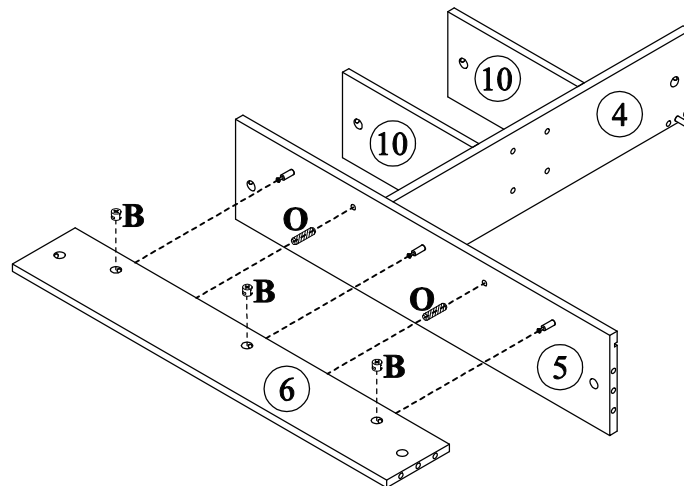
STEP: 4

B		J	
1PC		2PCS	


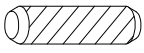
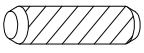


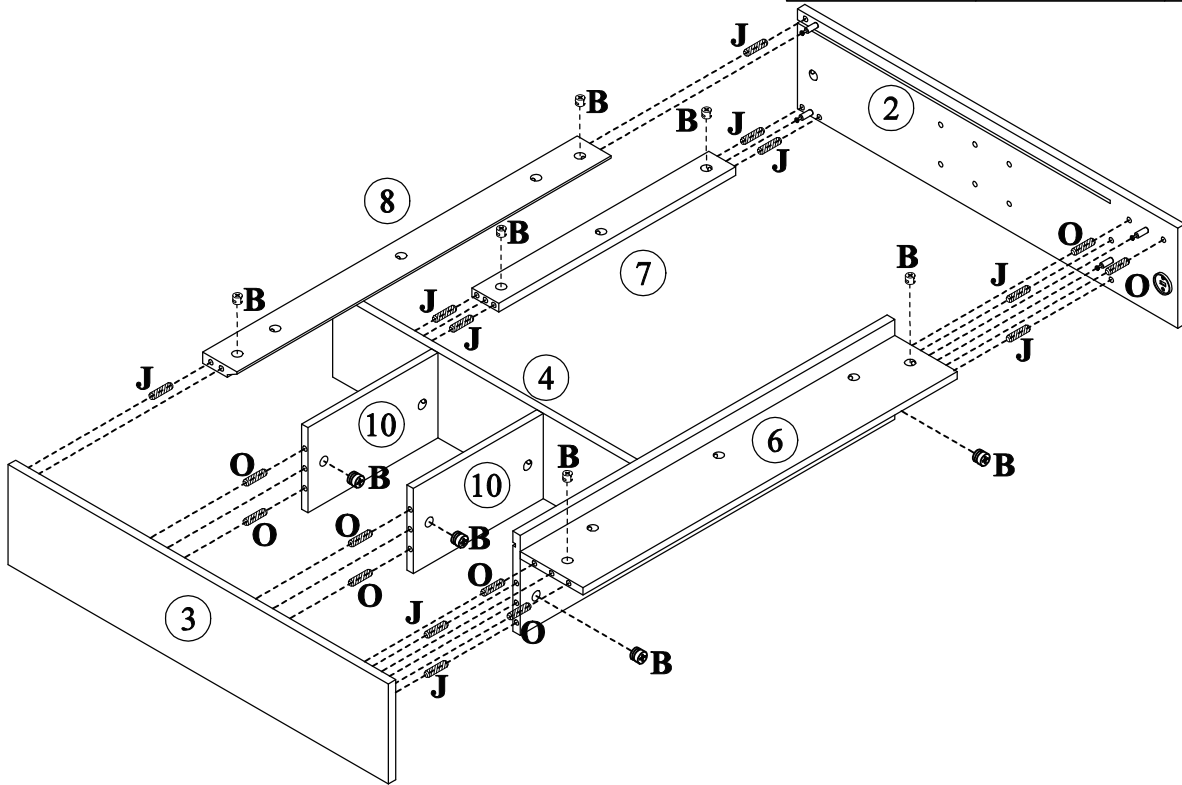
STEP: 5

B		O	
3PCS		2PCS	

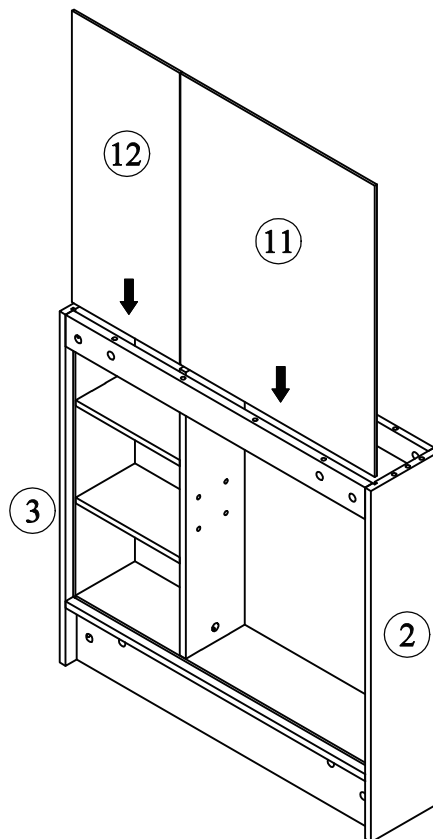


STEP: 6


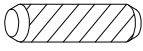
B 	J 	O 
10PCS	10PCS	8PCS

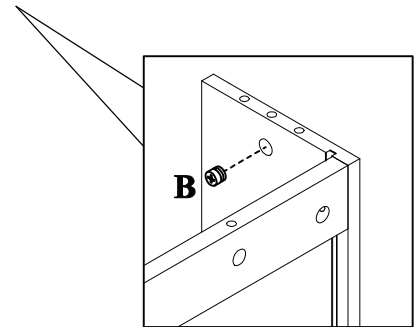
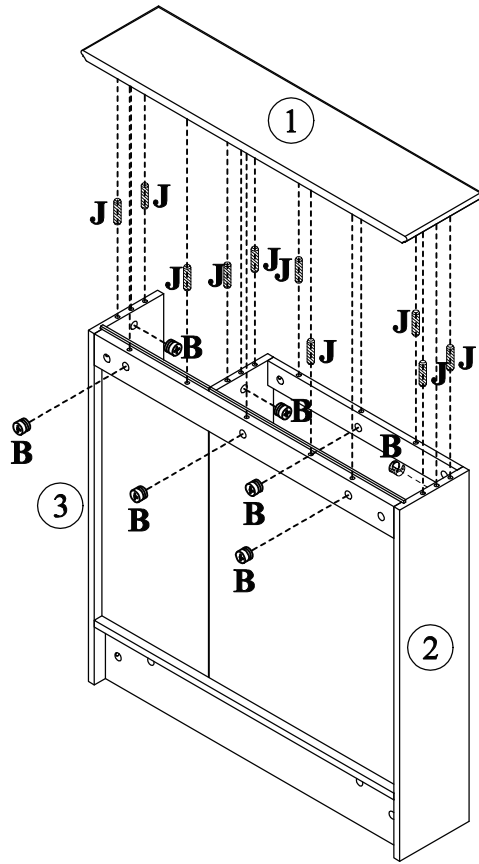


STEP: 7

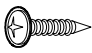


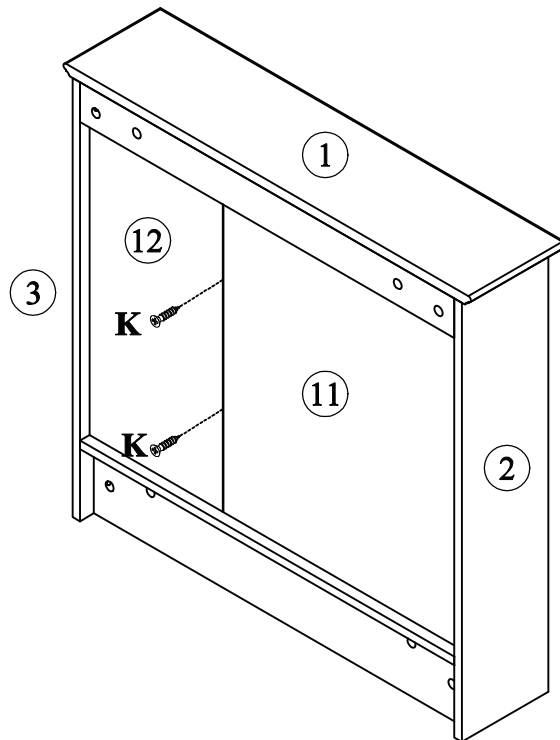
STEP: 8

B		J	
7PCS		10PCS	

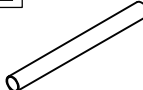



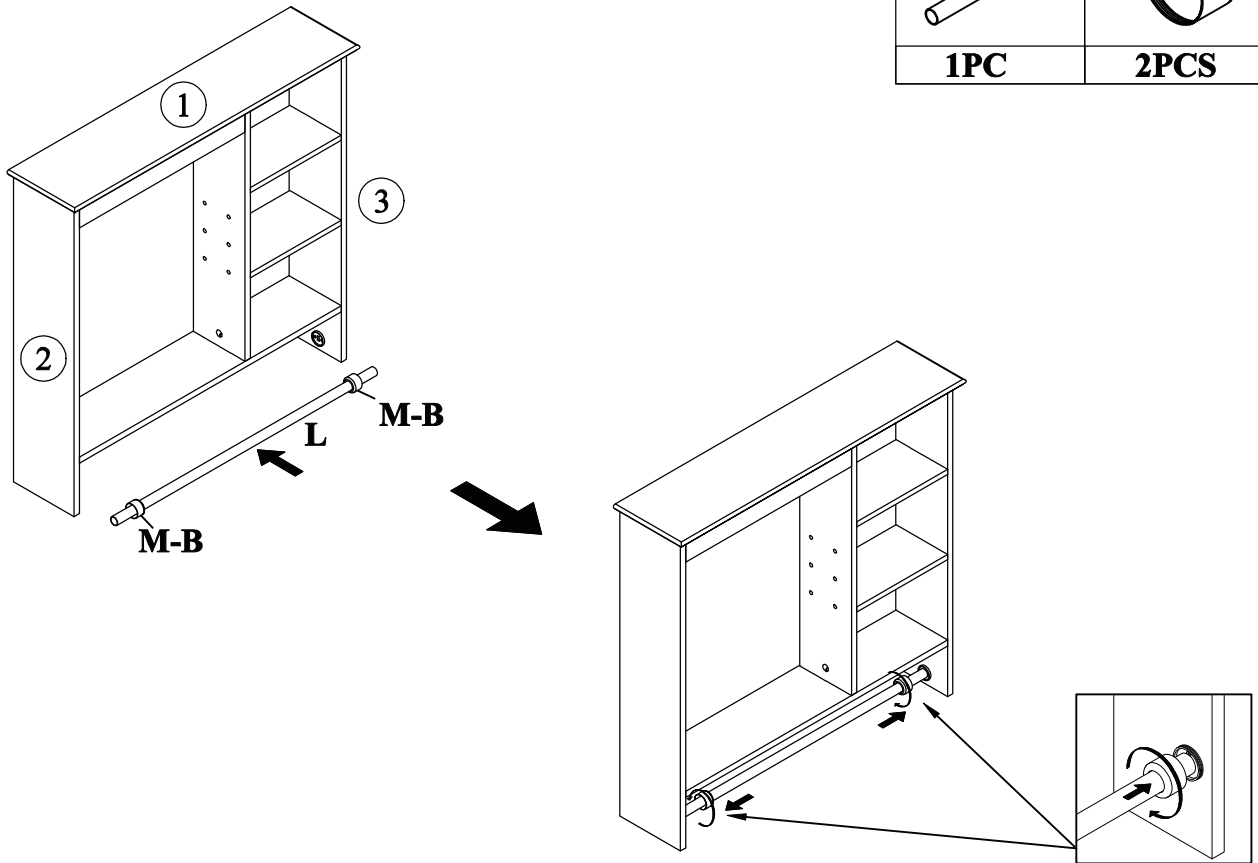
STEP: 9

K	
2PCS	

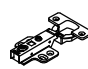
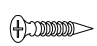


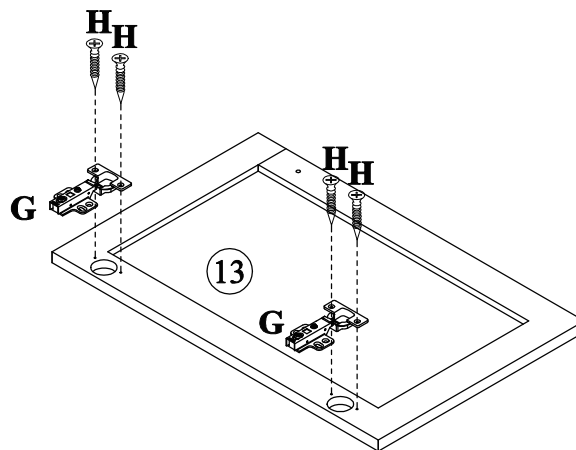
STEP: 10

L		M	
1PC		2PCS	B


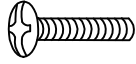
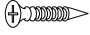


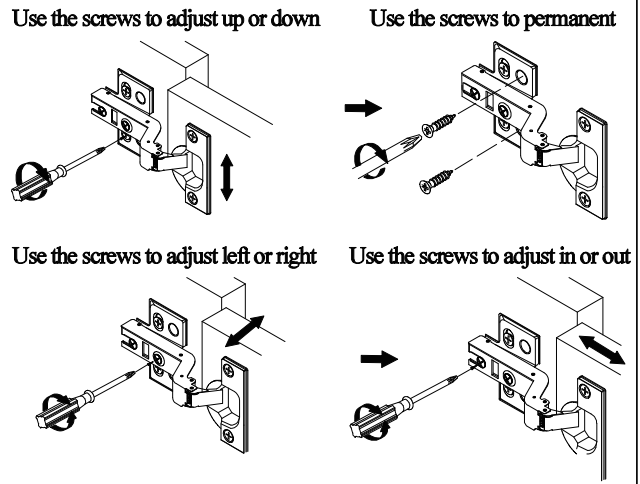
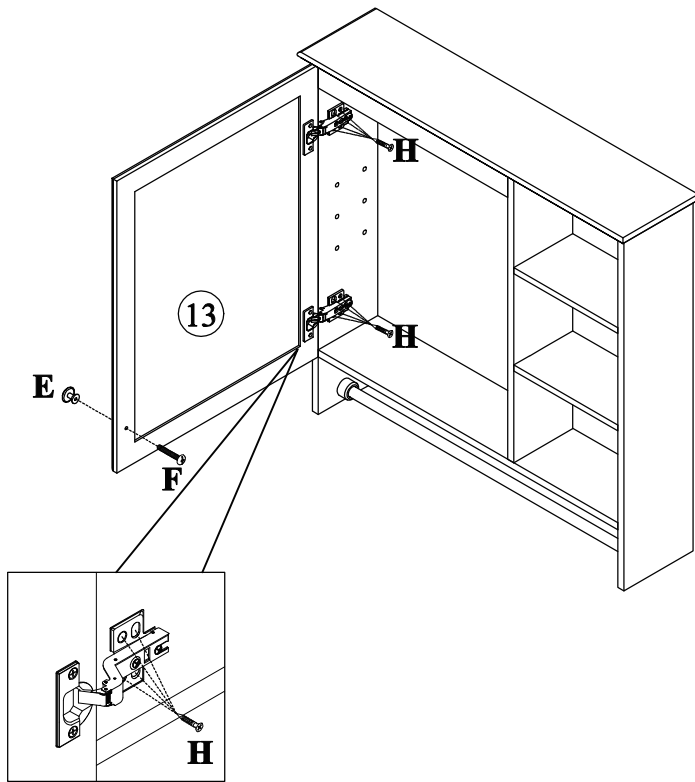
STEP: 11

G		H	
2PCS		4PCS	

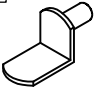


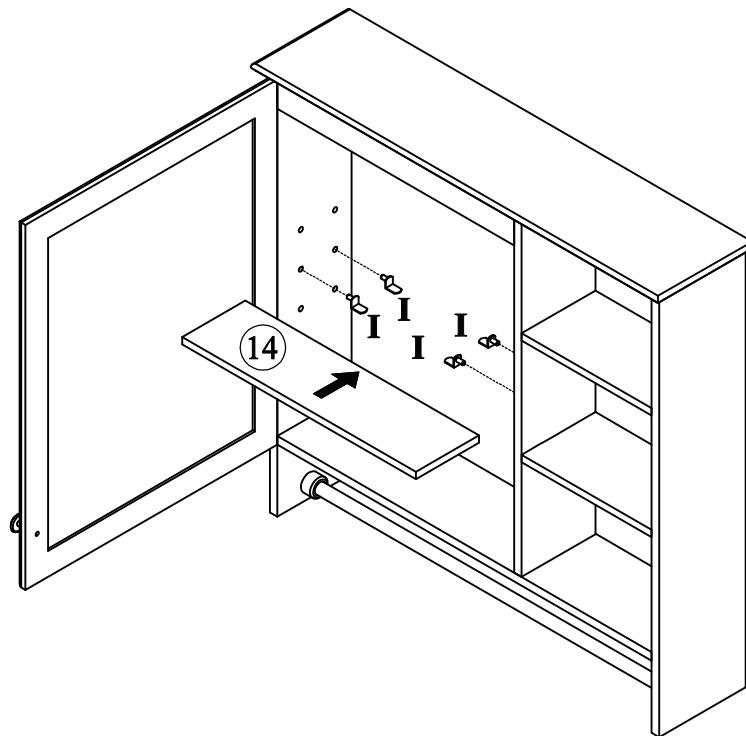
STEP: 12

E 	F 	H 
1PC	1PC	8PCS

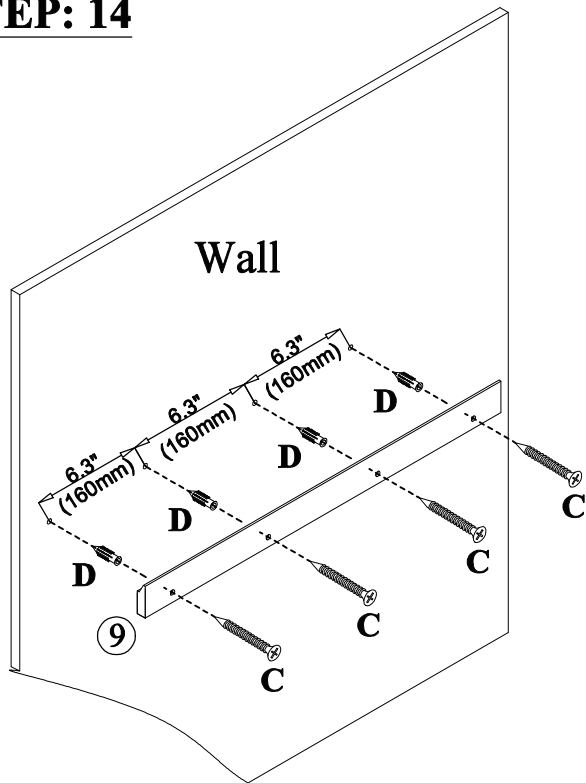


STEP: 13

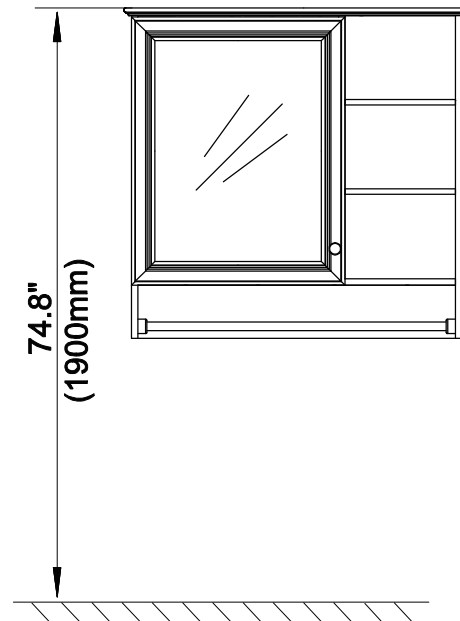
I 
4PCS



STEP: 14



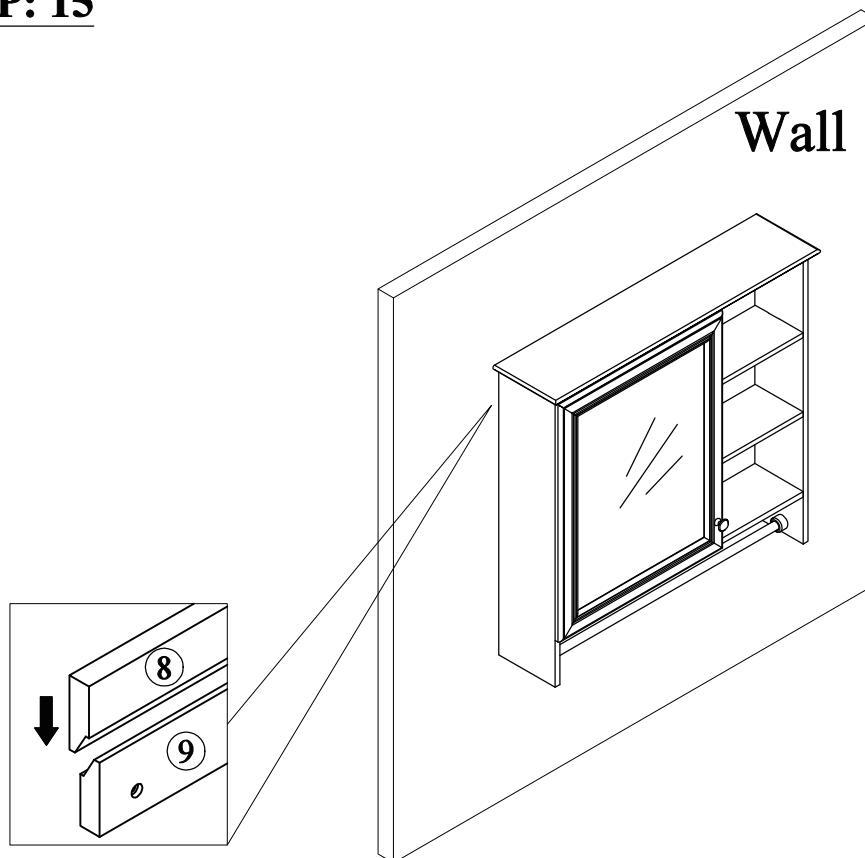
C	D
4PCS	4PCS



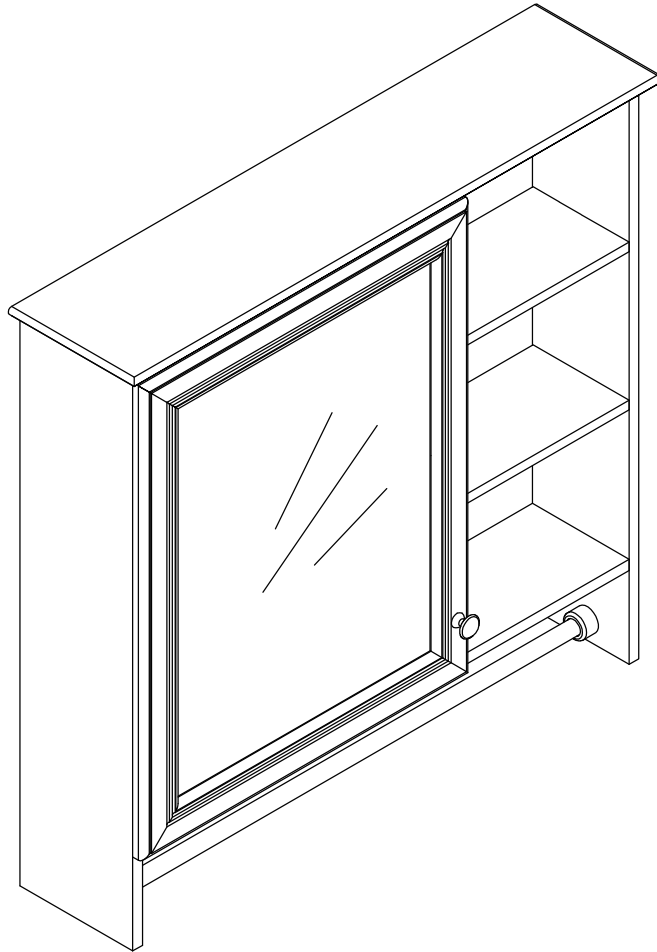
Draw the spacing between the walls and the No.9, punch holes in the wall, and fix the No.9 to the wall with screws.

Note: Appropriate distance from the top of cabinet to the ground is 74.8".

STEP: 15



STEP: 16

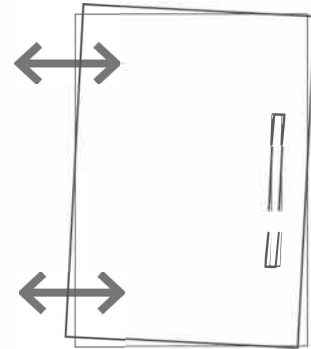


HINGE ADJUSTMENTS



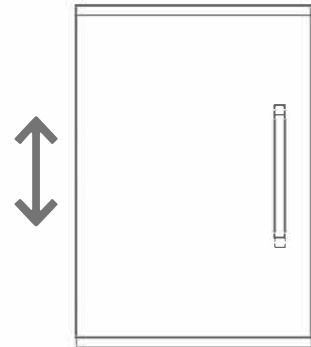
1 Sideways / Tilt adjustment

Turn the screw
clockwise to move the door further away from the side of the cabinet
anticlockwise to move the door closer to the side of the cabinet



2 4 Height adjustment

While supporting the weight of the door, turn the screws
clockwise to move the door up
anticlockwise to move the door down



3 Forward and back adjustment

If the gap between the back of the door and the cabinet is too small, and the door may not close fully. Turn the screw
clockwise to decrease the gap between the door and the cabinet
anticlockwise to increase the gap between the door and the cabinet

